



*The ultimate luxury  
garage feature.*

**EXPERIENCE VASARI**

*The personal parking  
solution from Autoquip.*

*Safety*

Your family's safety is our number one priority. We consider every potential safety concern and apply effective, state-of-the-art solutions.

*Quality*

Peace of mind. VASARI lifts are designed and built in the USA to exacting requirements and national safety standards – and are backed by the most comprehensive warranty in the industry.

*Security*

VASARI subterranean parking solutions provide unparalleled security for your prized vehicles or watercraft.

*Versatility*

Get more use from your home's footprint by going vertical. We can accommodate any floor plan, handle any size vehicle, and provide any color or finish to enhance your custom garage.

*VASARI Personal Parking Solutions by Autoquip – providing custom lifting solutions to residential and commercial customers for over 60 years.*

To learn more, visit [vasari-lifts.com](http://vasari-lifts.com) or call 877-333-9334.

## VASARI Subterranean Parking Lifts

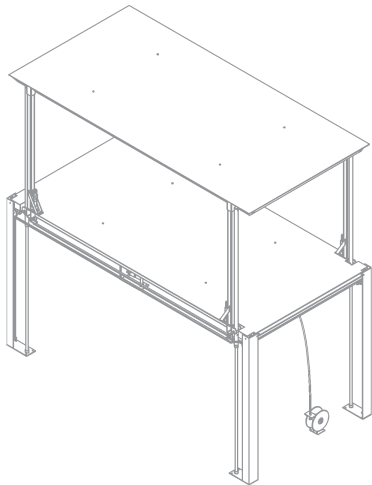
VASARI subterranean parking lifts are designed to provide parking and/or storage for two full sized vehicles/SUVs by vertically stacking them within the same footprint. This underground parking system lowers one vehicle to a lower elevation (basement, pit, etc.) for storage and security. Once lowered, a second vehicle can be driven onto a second, upper “canopy” platform, which has occupied the floor opening at street or grade level.

**NEW!**

### 4-Post Subterranean Lift

*(Patent Pending)*

By combining the inexpensive power of direct acting hydraulic rams with the repeatable performance of a mechanical equalization system – the VL4 family of vehicle lifts provide a “hydro-mechanical” design solution unique to the industry.

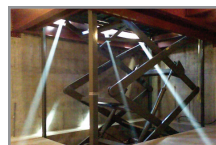


Model	Travel (in)	Lifting Capacity (lbs.)	Lowered Height (in.)	Platform Size (in.)	Up Speed (sec)	Floor Pressure (psi)	Shipping Weight (lbs.)
96VL470	96	7,000	24	108 x 216	78	112	7,500
108VL470	108	7,000	24	108 x 216	88	112	7,600
120VL470	120	7,000	24	108 x 216	133	112	7,700
132VL470	132	7,000	24	108 x 216	147	112	7,800
144VL4-70	144	7,000	24	108 x 216	209	112	7,900



### Also Available

Conventional scissors-style subterraneans.



### Custom Lifts

When *standard* isn't enough.

*Autoquip's worldwide headquarters and state-of-the-art 175,000 sq. ft. factory is located in the heartland of America. Autoquip has built it's 60-year old reputation on providing the highest quality lifts, backed by the best warranty and highest level of customer service in the industry. Our vehicle lifts are made in the USA to the highest applicable safety standards, and are built to provide decades of dependable service.*

### TO LEARN MORE

Visit us online at [vasari-lifts.com](http://vasari-lifts.com) or call **877-333-9334**.