

# **Garaventa Genesis STAAGE**

Vertical Wheelchair Lift

**Owner's Manual**



Creating An Accessible World

# GENESIS STAAGE

---

## TABLE OF CONTENTS

Introduction ..... 2

STAAGE Components ..... 3

Transportation Instructions ..... 4

Travel Height Adjustment ..... 5

Operating Instructions ..... 5

Call Station & Platform Controls ..... 6

Manual Lowering ..... 7

Maintenance..... 8

Troubleshooting ..... 8

Specifications ..... 9

Warranty..... 10

# GENESIS STAAGE

---

## INTRODUCTION

Congratulations on your purchase of the Genesis STAAGE Vertical Platform Lift. The STAAGE is manufactured with the same precision and care that is a trademark of Garaventa products. You can be proud of the fact that you join thousands of others who have turned to Garaventa for their accessibility solutions. Your lift is easy to operate and has been designed for years of reliable, trouble-free operation. As with all electrical and mechanical equipment, proper operation and periodic maintenance is required.

**Important...**Please refer all service work to your Garaventa dealer. Garaventa dealers have the trained technicians with the required tools and genuine replacement parts. They are committed to providing quality service!

### Dealer Information

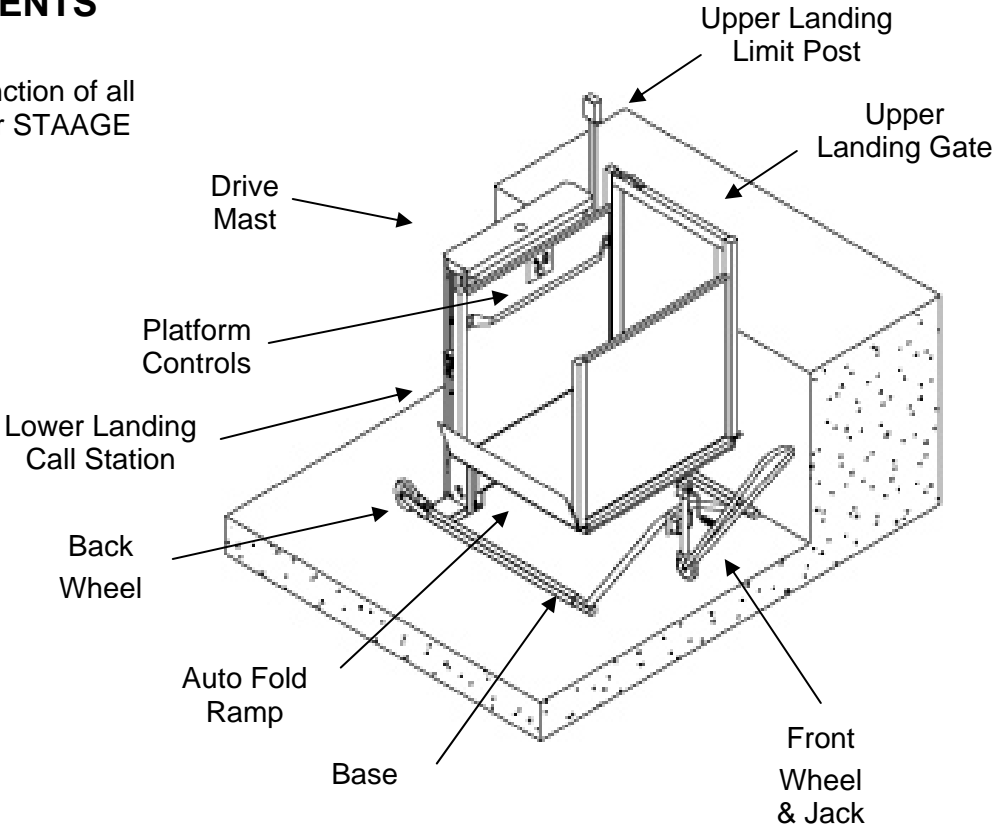
Name: \_\_\_\_\_  
Address: \_\_\_\_\_  
City: \_\_\_\_\_  
Telephone No.: \_\_\_\_\_

**If you have questions concerning the operation or maintenance requirements of your STAAGE, please contact the dealer listed above.**

# GENESIS STAAGE

## STAAGE COMPONENTS

Learn the location and function of all features before using your STAAGE vertical lift.



### Call Stations

Call Stations are located at each landing (optional for upper landing) and consist of a directional control switch and an operation lockout key switch at the lower landing. The easy to use “Rocker” style switches are used to call or send the platform to the desired landing.

The lockout key switch limits use to authorized persons only

### Platform Directional Control Switch

The Directional Control Switch is mounted to the sidewall of the platform. Pushing the upper or lower ends of the Direction Control Switch moves the platform in the corresponding direction. The platform will automatically stop and when the switch is released.

### Platform Emergency Stop/Alarm Switch

The Emergency Stop/Alarm switch is also located on the platform sidewall and can be pressed at anytime to stop the platform. An alarm will sound when the button is pressed.

# GENESIS STAAGE

---

## STAAGE COMPONENTS (Continued)

### Automatic Access Ramp

When the platform is not at the lower landing the ramp is in the raised position. As the platform descends to the lower landing the ramp automatically opens. **Pedestrian traffic must stand clear.**

### Under Platform Safety Pan

Six heavy-duty sensing switches are located on the underside of the platform. These switches will automatically stop the platform should it encounter an obstacle during downward travel. When the safety pan is obstructed, travel in the upward direction is not disabled, allowing the platform to move away from the obstruction.

### Upper and Lower Platform Gates

The electro-mechanical gate interlocks prevent the platform from operating unless the gate is fully closed. The gate automatically locks when the platform leaves landing. The lower landing platform gate is an optional feature and not supplied as standard.

## TRANSPORTATION INSTRUCTIONS

1. Lower the upper call station as required for doorway clearance.
2. From the lower call station, drive platform upward until ramp is fully folded up.
3. Unplug power cord and stow securely away from wheels.
4. Wind hand crank until jack is fully extended. This will tilt the unit approximately 15 degrees.
5. Roll unit to new location.
6. Reverse process when lift is in desired park position.
7. Be sure base of lift is sitting fully on floor before operating. Wind hand crank until castor wheel is completely off the floor.
8. Follow instructions for setup of travel height and gate release.

# GENESIS STAAGE

---

## TRAVEL HEIGHT ADJUSTMENT

1. Raise the upper landing limit post above the stage level. To do so, loosen the 2 black knobs on the post, raise the post and tighten the knobs.
2. Position the upper landing side of the lift adjacent to stage. Ensure that the outer edge of the platform is:
  - Parallel to the edge of the stage
  - No more than  $\frac{3}{4}$ " from the edge of the stage.
  - No less than  $\frac{3}{8}$ " from the edge of the stage.
  - If this is not the case, follow the transportation instructions to reposition the lift.
3. Go to the upper landing and loosen the 2 black knobs on the upper limit post.
4. Slide the post down until the stop tab rests on the stage floor. Re-tighten the knobs. This sets the platform travel height and allows the gate to open in this location.
5. Do not operate the lift until the travel height has been adjusted and the lift has been positioned adjacent to the stage.

## Operating Instructions

The following must be observed at all times.



- Do not exceed capacity of 750lbs (340kg)
- Do not use the lift if the front wheel is touching the ground
- Do not use the lift if the upper landing has not been set according to the instructions in this manual
- Do not bypass any control sensors
- Do not use the lift to transport freight
- Do not operate the lift if it has been damaged
- Passengers must be centered on the platform during use.
- Wheelchair brakes must be engaged at all times during platform movement.
- Keep hands and feet inside the platform area.

**Failure to follow the above instructions may pose a safety hazard and may void the warranty**

# GENESIS STAAGE

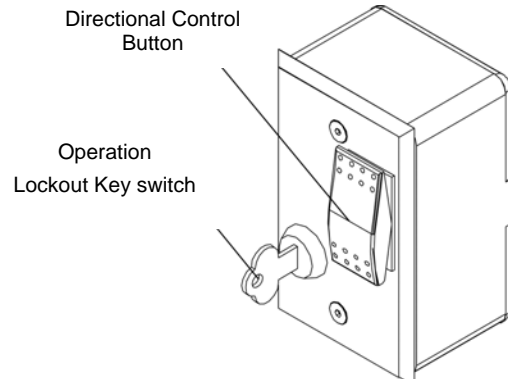
## CALL STATION CONTROLS

### Operation Lockout Key Switch

The lower landing call station is equipped with a key switch that lockouts the functionality of all controls surfaces. To operate the lift, insert the key and turn it to the “ON” position. Leave the key in this position during the operation of the lift.

### To “call” or “send” the platform:

Then press the directional control switch desired (“UP” or “DOWN”) direction. The platform will stop automatically upon reaching a landing. Releasing the switch at any time will stop the platform.

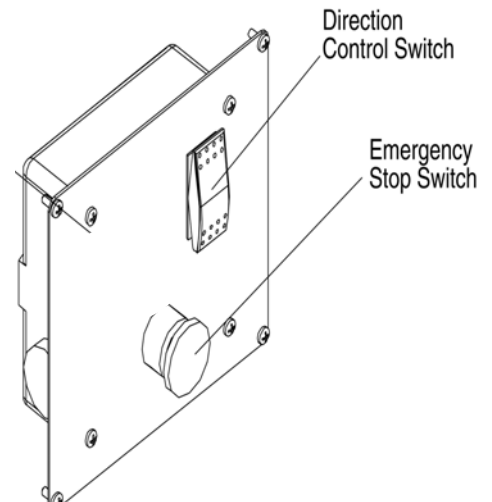


## PLATFORM CONTROLS

- ❑ Upon entering the platform, ensure the gate is fully closed behind you.
- ❑ Press and hold the directional control switch in the desired (“UP” or “DOWN”) direction. The platform will automatically stop when it reaches the landing. Releasing the switch at any time will stop the platform.



Warning: Wheelchair brakes must be locked at all times during platform travel. Keep hands, feet and wheelchair inside the platform area.



### Emergency Stop/Alarm Switch

The Emergency Stop/Alarm switch can be pressed at any time to stop the platform. All controls are disabled while the switch is pressed in. Pull outward on the switch to return to normal operating position.

# GENESIS STAAGE

---

## EMERGENCY MANUAL LOWERING

In the event of a power failure, the platform can be lowered manually. See the following steps for the appropriate drive system:

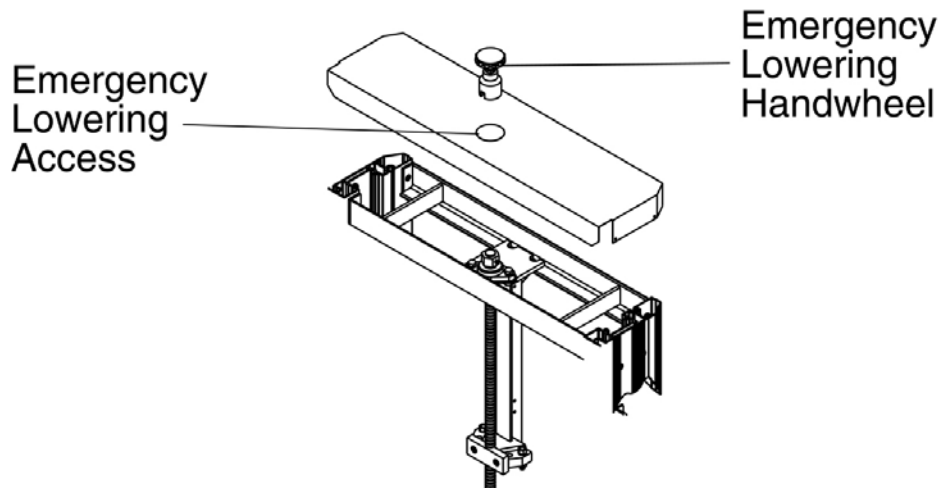


**WARNING:** Under platform obstruction sensing switches and limit switches are disabled when manual lowering is used.

## LEADSCREW DRIVE - HAND CRANK

In the event of a power failure, the platform can be raised or lowered using the hand crank per the following steps:

1. Turn off the power by pulling the power cord out of the wall socket.
2. Turn off all keyed switches (if equipped and remove keys). This is very important in the event, the power is unexpectedly restored.
3. Remove the hole plug from the access hole located on top of the mast housing.
4. Insert the hand crank through the access hole placing it onto the roll pins protruding from the brake drum.
5. Rotate the hand crank clockwise to raise the platform and counterclockwise to lower the platform.



# GENESIS STAAGE

---

## MAINTENANCE

Regular maintenance is essential in keeping your Genesis STAAGE in proper operating condition. Please remember, as the owner of this equipment you are responsible for making sure maintenance is performed on a regularly scheduled basis.

We strongly recommend that you protect your investment by having only an authorized Garaventa dealer perform all required maintenance service and repair work.

To maintain proper operating condition of your lift, the items listed below should be inspected and/or serviced every six (6) months. However, additional inspections may be necessary depending on amount of usage. In high usage areas, such as schools, nursing homes, clinics and outdoor installations, the unit should be serviced every three (3) months.

- Inspect ramp for proper operation
- Lubricate ramp linkage and hinges with light weight oil
- Check gate hinges and adjust speed of gate closer
- Inspect all travel cables for excessive wear. Replace as necessary
- Clean acme screw and check grease canister
- Clean mast guide channels.
- Verify proper tension of the drive belt.

## TROUBLESHOOTING

### Before you call for service...

A quick check of the Operating Instructions in this manual may prevent an unnecessary service call. Before calling your authorized Garaventa dealer for service, refer to the following checklist...

If the lift will not operate:

- Check for a blown fuse or tripped circuit breaker at the main circuit box
- Check that the unit is connected to an electrical outlet
- Check that gate(s) are completely closed
- Check that the emergency stop switch is not activated
- Check that the key switch is turned to the "ON" position
- If the platform stopped on the way down, move platform up and check for an obstruction underneath the platform

If the lift will not operate after checking the above items, contact your local authorized dealer for immediate service. If your lift needs servicing, use only original replacement parts and hardware to maintain quality and performance.

# GENESIS STAAGE

---

## SPECIFICATIONS

<b>Platform:</b>	<b>864mm (34") x 1385mm (54 1/2")</b>
<b>Rated Load:</b>	<b>340 kg (750lb.)</b>
<b>Speed:</b>	<b>3 meters (10') per minute</b>
<b>Equipped with:</b>	<b>Non-slip surfaces on the deck</b>
<b>Operating Controls:</b>	24VDC constant pressure directional switches on call stations and platform. Operation Lockout Key on Lower Landing Call Station.
<b>Drive System:</b>	
Motor:	2 H.P. motor
Drive Type:	ACME screw (1" diameter)
Power Supply:	120VAC North America 208 – 240VAC International
<b>Safety Features:</b>	
Under Platform Sensors:	Six commercial grade waterproof safety switches will automatically stop the platform should it encounter an obstruction.
Gate Locks:	Electro-mechanical lock ensures gate is closed before travel
Emergency Stop:	Stop platform travel and sounds audible alarm.
<b>Finish:</b>	Steel panels and framework are finished with electrostatically applied Satin Gray paint. The panels, gates and mast are framed with anodized aluminum extrusions.

# GENESIS STAAGE

---

## WARRANTY

Garaventa warrants the entire lift assembly to be free from defects in materials and workmanship under normal use and service for a period of two (2) years from the date of installation, reasonable wear and tear excluded. Proof of the date of installation is required to determine the warranty period.

The warranty does not extend to any Garaventa Genesis Vertical Lift unit which has been subjected to misuse, neglect, accident modifications or damage from fire, lightning or water, or used in violations of the instructions furnished, nor units repaired or altered by other than an authorized Garaventa dealer. This warranty does not cover service work, oiling, greasing and minor adjustments that are required from time to time.

Garaventa's liability hereunder is limited to repair and/or replacement only. Transportation and labor charges are not covered. Garaventa accepts no liability for any loss or damage resulting from use or misuse of the equipment, whether such damage is direct, indirect or consequential. All other express or implied warranties, statutory or otherwise, are excluded.

### Warranty Registration

A postage- paid warranty registration card is enclosed with this Owners Manual. Please complete the card and return it to Garaventa within 10 days of purchase.

### Optional Extended Warranty Protection (Canada and USA only)

As an option you are able to purchase extended warranty protection for your Garaventa STAAGE (**Preventive Maintenance Agreement required**). This will extend your warranty from two years to 7 years (warranty details available). The extended warranty covers all major components.

**Important note:** The extended warranty protection plan (Preventive Maintenance Agreement required) is available for purchase for up to 30 days after lift installation. An extended purchase availability of up to 90 days after installation is available for an additional cost.

Protect your investment. Contact your local Garaventa dealer or Garaventa Lift for more information.