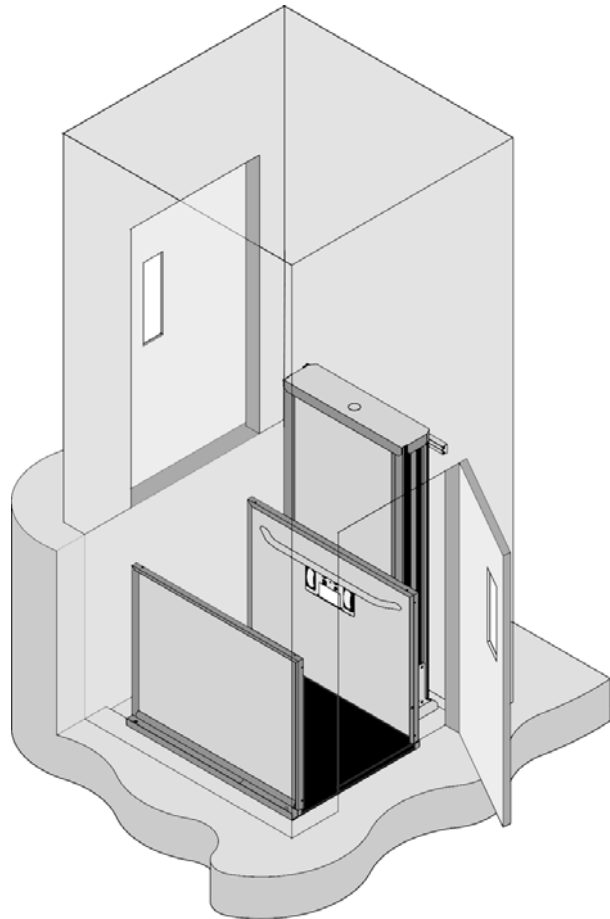
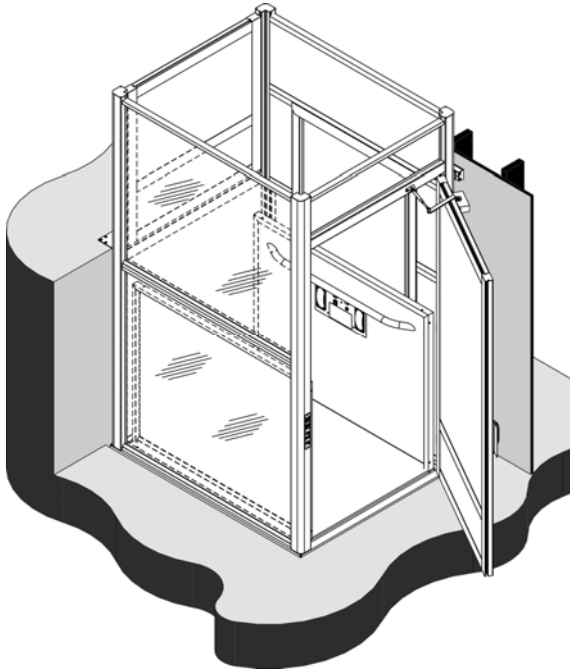




GENESIS VERTICAL LIFT

Enclosure & Shaftway Models

Owner's Manual



Item #11301 Rev.H

Genesis Enclosure & Shaftway Models

Table of Contents

Introduction	2
General Components	3
Description of Controls	4
Call Stations	4
Platform Controls.....	5
Operation Instructions	6
Safety First!	6
Calling the Lift to your Landing	6
Entering the Lift	7
Traveling Inside the Lift	7
Exiting the Lift.....	7
Manual Travel.....	8
Manual Lowering Handwheel – Leadscrew Model Only	8
Manual Lowering Access Cap – Leadscrew Model Only	8
Manual Lowering – Hydraulic Model Only	9
Battery Powered Lowering - Leadscrew Model Only	10
Auxiliary Power – Hydraulic Model Only.....	10
Trouble Shooting	11
Specifications	13
Specifications – Leadscrew Model Only	13
Specifications – Hydraulic Model Only	14
Preventive Maintenance	15
Warranty Information	16

Introduction

Congratulations on your purchase of the Genesis Vertical Platform Lift. The Genesis is manufactured with the same precision and care that is a trademark of Garaventa products. You can be proud of the fact that you join thousands of others who have turned to Garaventa for their accessibility solutions.

Your lift is easy to operate and has been designed for years of reliable, trouble-free operation. As with all electrical and mechanical equipment, proper operation and periodic maintenance is required.

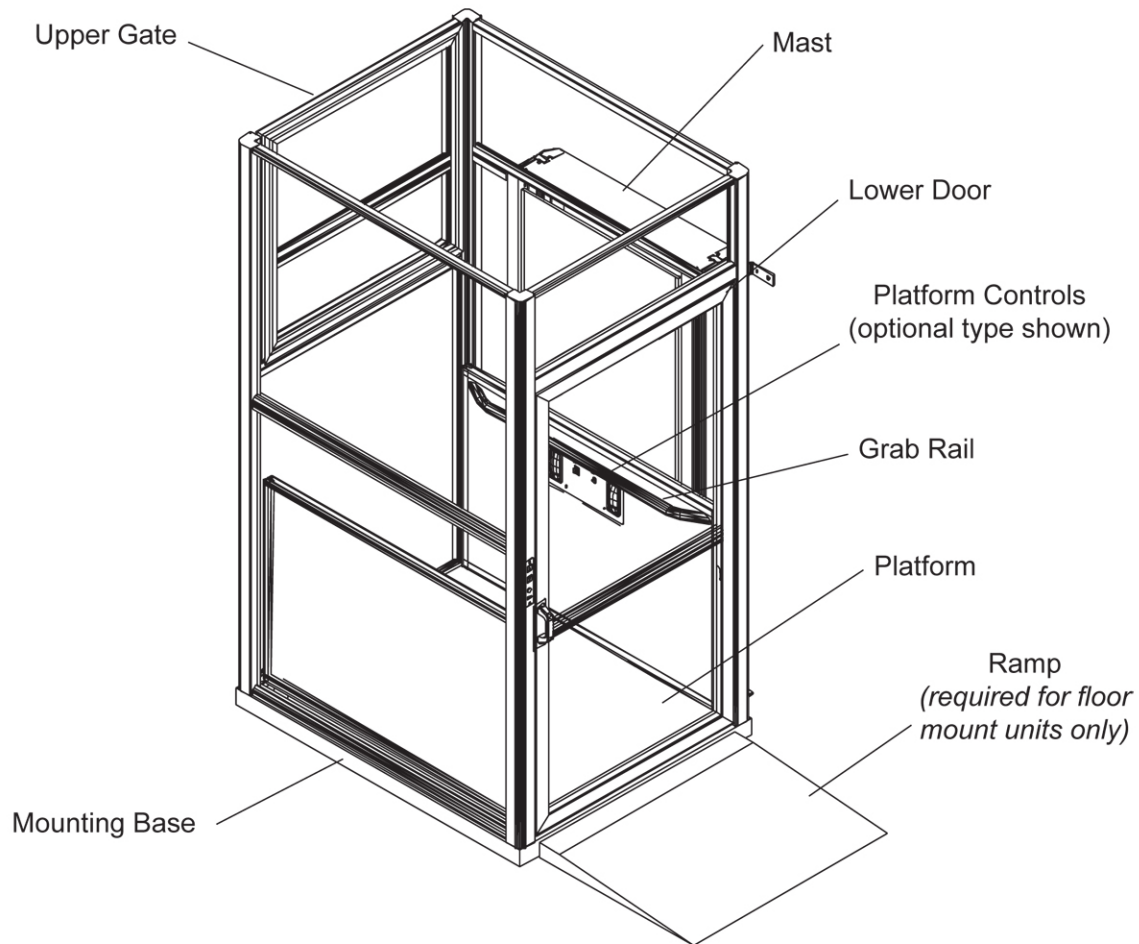
Important...Please refer all service work to your Garaventa Lift dealer. Garaventa dealers have the trained technicians with the required tools and genuine replacement parts. They are committed to providing quality service!

Dealer Information:

Name: _____
Address: _____
City: _____
Telephone No.: _____

If you have questions concerning the operation or maintenance requirements of your Genesis, please contact the dealer listed above.

Genesis Vertical Lift General Components



Enclosure Model with Standard Straight-Through Configuration Shown

The Genesis vertical platform lift is offered in a variety of configurations and styles for different accessibility challenges. All versions of the Genesis Vertical Lift operate in the same manner and consist of a complete drive system, a platform with side walls, doors with an interlock system and call stations.

Please read this Owner's Manual as it covers the complete operation of the lift, basic troubleshooting and warranty information.

Description of Controls

Call Stations

1) Keyless Call Stations (Standard)

All standard call stations are keyless and are operational whenever the platform controls are not in use.

Keyed Call Stations (Optional)

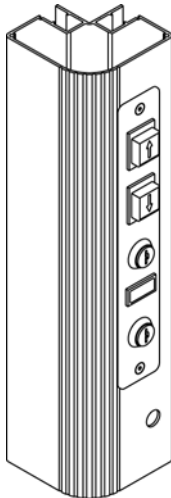
Keyed call stations restrict the use of the lift to authorized persons only. The call stations will not work unless an ADA compliant key is inserted and the key switch is turned on.

2) Rocker Switches (Standard)

The standard call station has a constant pressure directional rocker switch, that is used to call or send the platform. To call or send the platform up, depress and hold the upper portion of the switch. To call or send the platform down, depress and hold the lower portion of the switch. When the platform reaches the desired landing the lift will automatically stop.

Illuminated Push Button Style Directional Switches (Optional)

To use the illuminated call station buttons simply depress and hold the applicable arrow to call or send the platform.



malfunction



3) “In Use” Indication Lamp (Optional)

The “In-Use” Indicator lamp serves to let you know when the lift is occupied. It will be lit while the lift is traveling or while someone is entering or exiting the lift.

4) Service Key Switch

The key switch is strictly for use by authorized Garaventa service representatives only.

5) Door Interlock Emergency Access Hole (Power Lock 2000)

The hole provides access to the door interlock, so that the enclosure door may be opened manually using the special interlock tool, in the event of a power failure or electrical

When the interlock is opened manually, the safety mechanisms of the lift are over ridden. Extra care should be taken and no one should ever position themselves or any part of their body under the platform at any time.

Platform Controls

1) **Keyless Platform Controls (Standard)**

Standard platform controls are keyless so the directional control switch is ready for operation when the user boards the platform.

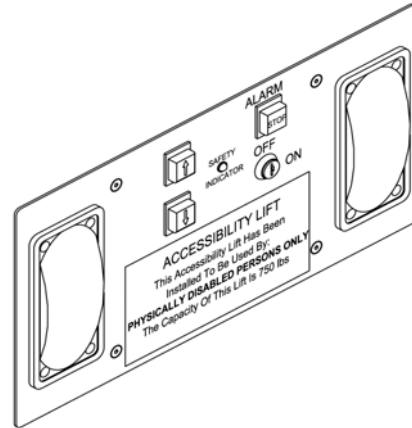
Keyed Platform Controls (Optional)

Keyed platform controls restrict the use of the lift to authorized persons only.

The platform controls will not work unless an ADA compliant key is inserted and the key switch is turned on.

2) **Rocker Switches (Standard)**

The standard platform control has a constant pressure directional rocker switch. To move the platform up, depress and hold the upper portion of the switch. To move the platform down, depress and hold the lower portion of the switch. When the platform reaches the desired landing it will automatically stop.



Optional Push Button Style Platform Controls Shown

3) **Illuminated Push Button Style Directional Switches (Optional)**

To use the illuminated platform directional buttons simply depress and hold the applicable arrow to move the platform in the desired direction. When the platform reaches the landing it will automatically stop.

In the center of the control panel there is a small green indicator lamp. The indicator lamp reports the status of the safety circuit. When the lift is energized and the directional control is pressed the lamp will illuminate indicating that the safety circuit is active. If the lamp does not illuminate;

- There is a fault in the electrical safety circuit.
- The motor direction timer is engaged. Wait for 5 seconds before pressing the directional control.
- There is no power to the lift.

4) **Emergency Stop Button**

The Emergency Stop Button cuts power to the lift, stopping the movement of the lift. When the Emergency Stop button is pressed an audible alarm will sound to alert personnel that there is someone inside the lift requiring assistance.

Platform Controls cont'd

5) Platform Courtesy Lighting

The two large clear lamps on either side of the “push button” control panel provide courtesy lighting on the platform when the lift is in operation. In the event of a power failure the courtesy lights will automatically turn on.

Operation Instructions



Safety First!

- 1) Make certain that you are fully familiar with all of the controls and functions of the Garaventa Genesis vertical lift before using it.
- 2) The platform of a vertical lift is quite different from the cab of a standard elevator, in that it is not a fully enclosed cab. When the lift is traveling make sure that your feet, hands and any loose clothing are as far from the edges of the platform as possible. Always rest your hands on the handrail provided. Do not rest your hands on top of the platform side walls while the lift is in motion.
- 3) Keep your hands away from the hinged edge of the door when it is opening & closing. The swinging door may pinch fingers.
- 4) Watch out for children when using the vertical lift.
- 5) If you are using a wheelchair on the Genesis lift, the wheels must be locked at all times while the lift is moving.
- 6) Your Genesis vertical lift is rated to carry a maximum capacity of 750 lbs (340 kg). **Do not exceed this rated load.**

Calling the Lift to your Landing

To call the platform to your landing, perform the following;

- 1) Call Station (Keyless) – Push and hold the direction switch to bring the lift to your landing. When the platform reaches the landing, it will automatically stop.
- 2) Call Station Operation Key Switch (if equipped) – Insert your ADA compliant key and turn it to the “ON” position. Follow the same procedure as in Step 1. When the platform has arrived at your landing, turn the key to the “OFF” position and take the key with you.

NOTE: - If the “IN USE” indicator lamp (if equipped) is on, the controls at the call station will be de-activated.

Entering the Lift

Once the lift has arrived at your landing, it is ready for you to enter. The doors will automatically unlock when the platform arrives at the landing. The standard interlock configuration is for the door to remain unlocked as long as the platform is at that landing. An optional delay door lock configuration will lock the door automatically when the lift has been idle for a certain period of time. The purpose of automatic locking is to prevent unauthorized access to the interior of the lift in areas where vandalism is a concern. Consult your authorized Garaventa service representative if you wish to have the automatic locking feature activated.

Traveling Inside the Lift

- 1) Once you are safely settled on the platform, make sure that the door is closed firmly.
- 2) Keyless Platform Operation – Push the directional control switch in the direction you wish to travel. Remember that the switches are constant pressure and that the lift will stop moving as soon as you release the switch. When you reach the next landing, the platform will automatically stop and the door at this landing will unlock as soon as you release the directional control switch.
- 3) Platform Operation Key Switch (if equipped) – Insert your ADA compliant key and turn it to the “ON” position. Follow procedure - step #2.

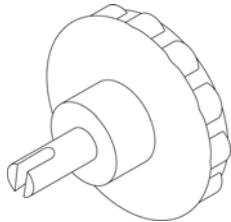
Exiting the Lift

- 1) When you have reached the desired landing and the lift has come to a stop, turn the operation key switch (if equipped) to off, and remove your key. The door interlock will disengage.
- 2) Push the door open and exit the lift.

Note: When you turn the platform operation key switch off, an exit timer is automatically started. The purpose of the exit timer is to lock out the call station controls, so that the first user will have time to exit the lift before another user can call the platform. This is usually set for 10 seconds.

Manual Travel

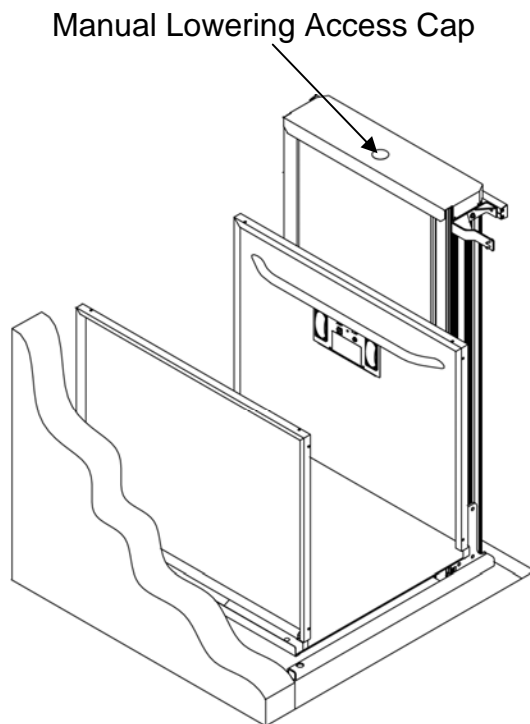
Manual travel may be required when there is a power failure or an electrical fault, which causes the lift to stop while someone is still on the platform in between landings.



Manual Lowering Handwheel – Leadscrew Model Only

The manual lowering handwheel has a black plastic handle fitted to a keyed shaft. The manual lowering handwheel is used to lower the platform in the event that mains power is lost. The handwheel should be stored in a safe place, such as the custodial room.

Manual Lowering Access Cap – Leadscrew Model Only



The manual lowering access cap is located on the top cover of the drive mast. It is a domed cover, which must be popped off so that the manual lowering handwheel can be inserted.



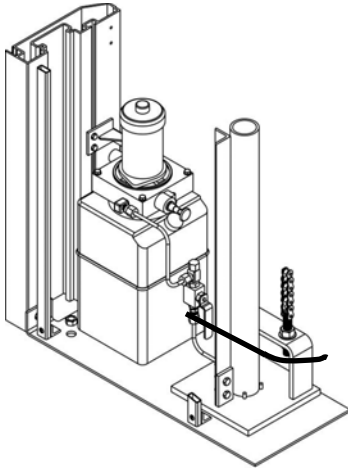
Make sure that the mains power is disconnected from the vertical lift before removing the access cap. If the main drive motor of the lift were to start while the access cap was removed, serious injury may result.

Insert the manual lowering handwheel so the slot engages the cross pin located near the top of the leadscrew. Turn the handwheel in the clockwise direction to raise the platform. Turn the handwheel in counter-clockwise direction will lower the platform.



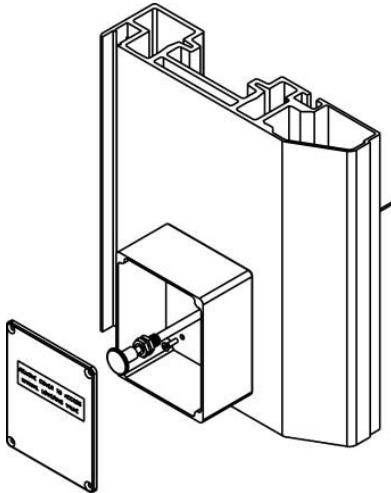
Replace the access cap on the mast cover as soon as you have finished manually moving the platform.

Manual Lowering – Hydraulic Model Only



Mast Installation (Enclosure Model)

The manual lowering is a pull knob located in a secured box on the side of the mast. The faceplate of the box must be removed to gain access to the lowering device. The knob then must be pulled to manually lower the platform.



Remote Installation (Shaftway Model)

For shaftway applications, the manual lowering device is shipped loose to allow the installer to mount the pull knob on the outside of the shaftway wall.



Replace the faceplate of the box as soon as you have finished manually moving the platform.

Battery Powered Emergency Lowering (Optional) – Leadscrew Drive Model Only

If equipped, the battery-powered emergency lowering system is automatically activated in the event of a power failure. A secondary 24 VDC motor is engaged to the main screw of the lift and allows a user inside the lift to travel **downwards only**. This system moves the platform at a speed of approximately 1 ft/min. The battery powered emergency lowering is controlled by the down directional switch. Travel is permitted in the down direction only.

Auxiliary Power (Standard) on mains powered units– Hydraulic Drive Model Only

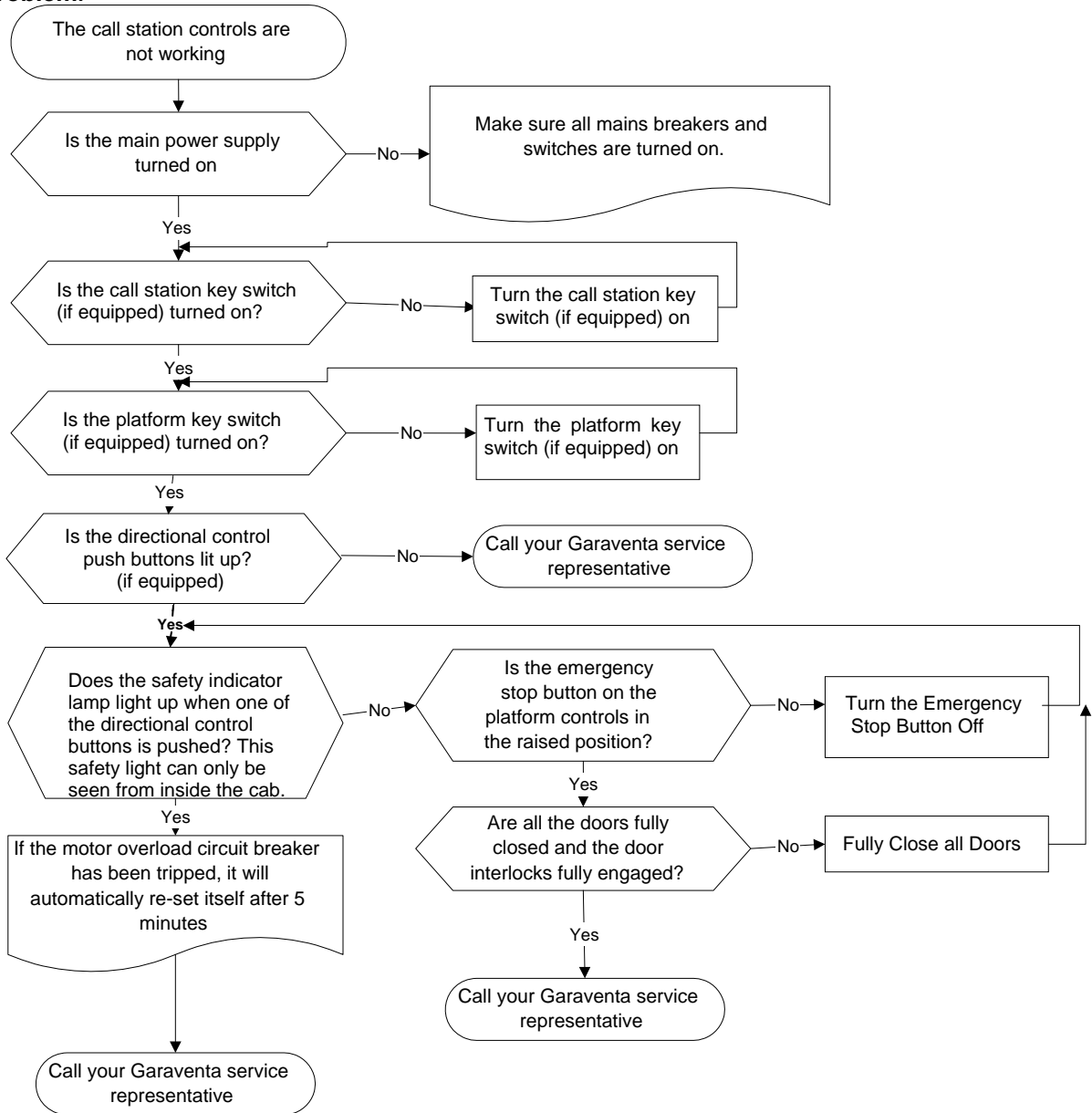
The auxiliary power system is automatically activated in the event of a power failure. 12 Volt DC batteries allow a user inside the lift to travel up or down in exactly the same manner as the normal operation.

Platform Overload Sensor (EU models only)

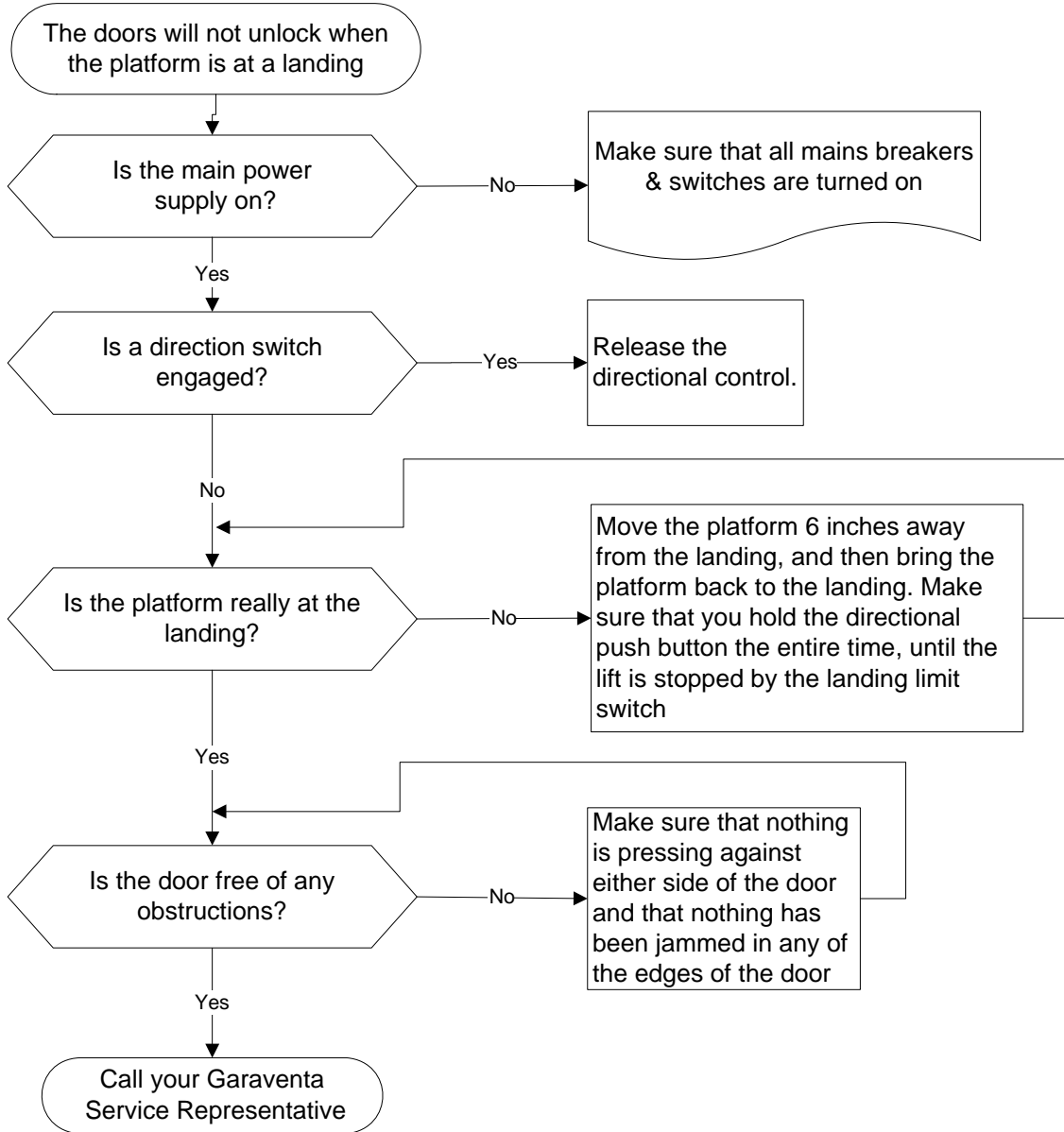
European platforms are equipped with a platform overload sensor as required by code. When the weight loaded on the platform exceeds the rated capacity by 75kg's the lift will not operate. The load must be removed from the platform until the sensor resets allowing the lift to become operable.

Trouble Shooting

Problem:



Problem:



Specifications – Leadscrew Model Only

Platform:

Platform Size:	941mm x 1370mm (36" x 54") standard platform size. (Other platform sizes available for Enclosure and Shaftway Models)
Rated Load:	Maximum 340 kg (750 lbs), with an ultimate load safety factor of 5
Speed:	3 meters (10 ft) per minute
Equipped with:	Non-slip surfaces on the deck

Operating Controls:

Keyless Controls:	ADA compliant keyless operation on call station and platform controls
Directional Controls:	Continuous pressure switches
Control Voltage:	24 VDC

Drive System:

Motor:	2 HP single phase AC Motor,
Drive Type:	ACME screw (1" diameter)
Power Supply:	120 VAC single phase, 50/60 Hz @ 20 Amps (North America Markets) 208 to 240 VAC single phase 50/60 Hz @ 16 Amps (International Markets)

Safety Features:

Safety Nut:	Steel safety nut automatically engages if drive nut fails. Platform falls less than ½" when safety nut engages. Engaging the safety nut trips the safety circuit.
Door Interlocks:	Door/gate interlocks are on a monitored safety circuit to ensure gates are properly locked during travel. Deadbolt (if equipped) fails in the locked position in the event of power failure.
Emergency Stop:	Stops platform travel and sounds audible alarm.

Finish:

Enclosure Frame & Drive Mast Rails:	Anodized Aluminum (Champagne)
Enclosure Sidewall & Drive Mast Panels:	Standard electrostatically applied baked powder finish on steel panels – (Satin Grey).
Enclosure Panels:	Standard electrostatically applied baked powder finish on steel panels – (Satin Grey). Optional bronzed or clear Plexiglas panels or a completely painted enclosure any RAL color.

Noise Level:

Inside the car:	75Db	Outside:	65Db (taken 1m away from the lift.)
-----------------	------	----------	-------------------------------------

Specifications – Hydraulic Model Only

Platform:

Platform Size:	914mm x 1370mm (36"x 54") standard platform size. (other platform sizes available for Enclosure and Shaftway Models)
Rated Load:	Maximum 340 kg (750 lbs), with an load safety factor of 5
Speed:	5.2 meters (17 ft) per minute at full load
Equipped with:	Non-slip surfaces on the deck

Operating Controls:

Keyless Controls:	ADA compliant keyless operation on call station and platform controls
Directional Controls:	Continuous pressure switches
Control Voltage:	24 VDC

Drive System:

Motor:	3HP (2.2 KW) single phase DC
Drive Type:	Chained Hydraulic (Dual 5/8" ANSI 50 chains)
Power Supply:	120 VAC single phase, 50/60 Hz @ 15 Amps (North America Markets) 208 to 240 VAC single phase 50/60 Hz @ 16 Amps (International Markets)

Safety Features:

Safety:	Monitored slack chain device. Automatically engages if the drive chain fails. The platform falls less than 1/2" when the slack chain safety device engages.
Door Interlocks:	Door/gate interlocks on a monitored safety circuit to ensure doors/gates are securely locked during use. Deadbolt (if equipped) fails in the locked position in the event of power failure.
Emergency Stop:	Stops platform travel and sounds audible alarm.

Finish:

Enclosure Frame & Drive Mast Rails:	Anodized Aluminum (Champagne)
Enclosure Sidewall & Drive Mast Panels:	Standard electrostatically applied baked powder finish on steel panels – (Satin Grey)
Enclosure Panels:	Standard electrostatically applied baked powder finish on steel panels – (Satin Grey). Optional bronzed or clear Plexiglas panels or a completely painted enclosure any RAL color.

Noise Level: Inside the car: 75Db Outside: 69Db (taken 1m away from the lift.)

Preventive Maintenance

A Preventive Maintenance Program provided by your authorized Garaventa Dealer is required to maintain your Manufactures Warranty and to ensure safe and reliable operation of your lift.

It is the responsibility of the lift owner to ensure that maintenance is performed on a regular basis. It is recommended that a thorough servicing be carried out by your authorized Garaventa representative every three months or twenty-five hours of use, whichever comes first.

Your Garaventa representative has the training, expertise and parts to keep your Garaventa Genesis operating properly for many years. Ask your local representative about our Preventive Maintenance Agreement. This agreement will ensure that your lift will be properly maintained, and that the life of your Garaventa Genesis will be extended. Depending on the length of this agreement, your warranty could be extended up to five years.

Remember to report any significant problems, such as unusual noises or vibrations, to your representative or Garaventa Lift. Do not operate the lift under these conditions. Between your representative's service calls, the owner can assist with the maintenance of the lift by checking the following points:

- Ensure that the extrusions, platform and other elements of the system are kept free of dirt, grease, wax and water.

- Contact your representative immediately if structural bolts and anchors appear to be loose.

- Check the safety features described in this manual. For example, ensure that the touch-sensitive ramps and plates (under the platform) stop the lift when met by an obstruction.

- Ensure the lift is operated periodically – it should be run at least once a week.

Warranty Information

Warranty

Garaventa warrants this lift to be free from defects in materials and workmanship under normal use and service for a period of two (2) years from the date of installation, reasonable wear and tear excluded. Proof of the date of installation is required to determine the warranty period.

The warranty does not extend to any Garaventa Genesis Vertical Lift unit which has been subjected to misuse, neglect, accident, modifications or damage from fire, lightning or water, or used in violations of the instructions furnished, nor units repaired or altered by other than an authorized Garaventa dealer. This warranty does not cover service work, oiling, cleaning and minor adjustments that are required from time to time. Consult your local authorized Garaventa Lift Dealer.

Garaventa's liability hereunder is limited to repair and/or replacement only. Transportation and labor charges are not covered. Garaventa accepts no liability for any loss or damage resulting from use or misuse of the equipment, whether such damage is direct, indirect or consequential. All other express or implied warranties, statutory or otherwise, are excluded.

Warranty Registration

A warranty registration form must be filed with us within ten days of the completion of your Garaventa Genesis Lift installation.

Optional Extended Warranty Protection (Canada & USA only)

As an option you are able to purchase extended warranty protection for your Garaventa Genesis Vertical Platform lift (***Preventive Maintenance Agreement required***). This will extend your warranty from two years to 7 years. (warranty details are available). The extended warranty covers all major components.

Important note: The extended warranty protection plan (PMA required) is available for purchase up to 30 days after lift installation. An extended purchase availability of up to 90 days after installation is available for an additional cost.

Protect your investment. Contact your local Garaventa dealer or Garaventa Lift for more information.