

**V E R T I C A L - L I F T**

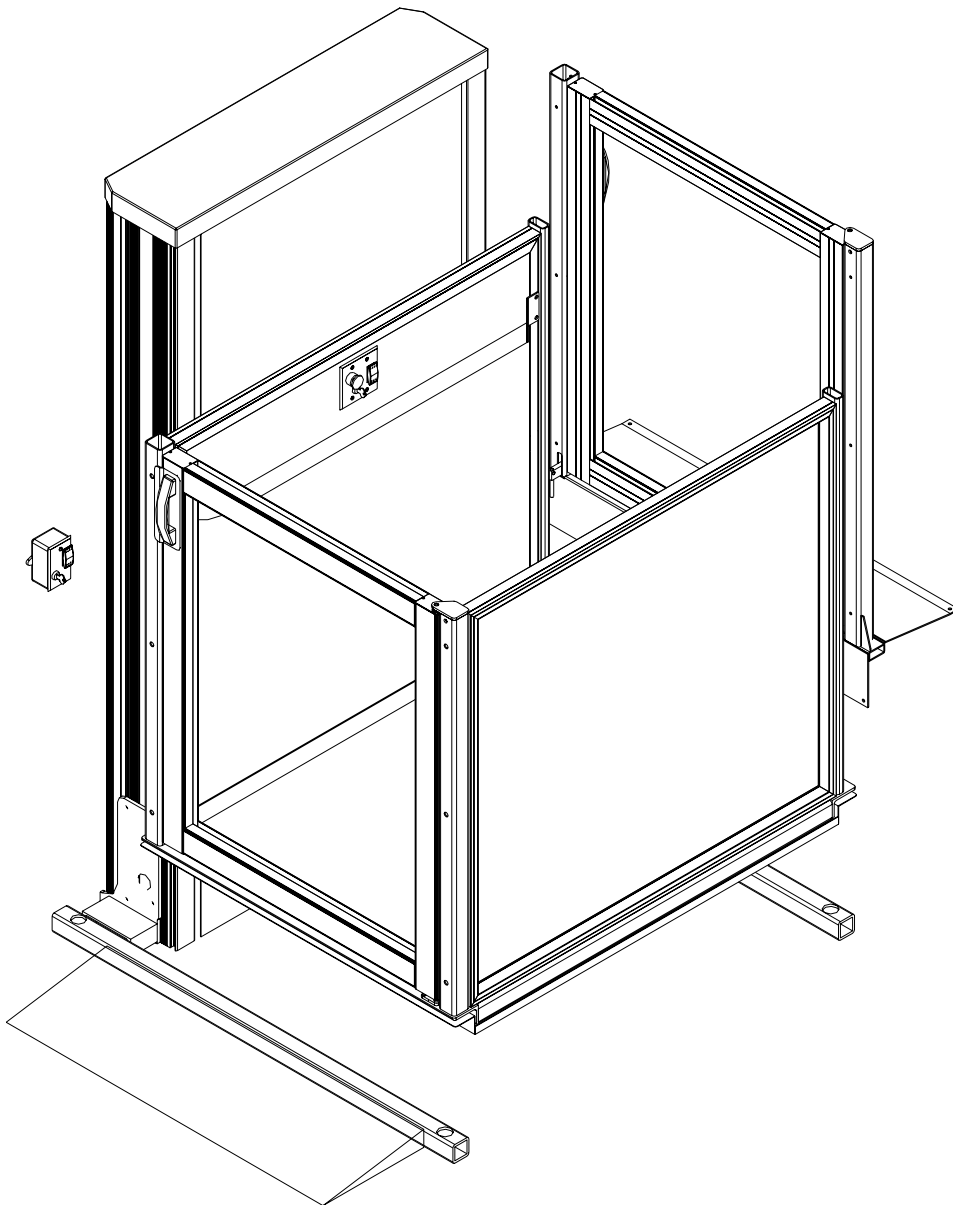


**GARAVENTA**

**ACCESSIBILITY**

**PARTS  
MANUAL**

***OPAL MODEL***



## **Garaventa– the world’s #1 choice in accessibility solutions.**

Garaventa has been dedicated to developing safe and reliable accessibility solutions since 1978, and is now an industry leader worldwide. Years of hard work and an uncompromising commitment to quality have enabled us to perfect our internationally renowned products.

The Garaventa Genesis OPAL is a reliable, cost-effective accessibility solution for buildings or private residences. The OPAL can be installed indoors or outdoors. The OPAL is freestanding and in many cases site modifications are not required. These durable lifts feature easy to use call stations, platform controls and is equipped with many built-in safety features. The OPAL is designed to provide years of reliable service.

This manual has been prepared to help you install, maintain & service the Garaventa OPAL. The Information in this manual is intended to be used in conjunction with ongoing Factory Training Seminars to help you reliably install and confidently service Garaventa products hence increasing the level of customer satisfaction

Keep this manual in a place where it is easily accessible to all the technicians who will be installing, servicing, and maintaining the OPAL.

Please note that because we are always continuing to develop and improve our products, the information in the manual will have to be updated on occasion. If you are in doubt of any information in this manual, contact Garaventa Field Service & Technical Support.

Please read this manual entirely before beginning installation, maintenance or service of any Garaventa Opal Vertical lift. While we strive for the greatest accuracy possible, errors and omissions may occur. If you are in doubt of any information in this manual, please contact Garaventa Customer Service.

**Read this manual entirely before beginning the installation, maintenance  
Or service of any Garaventa Opal Vertical Lift**



©2002 Garaventa (Canada) Ltd. As we are continuously improving our products, specifications outlined in this manual are subject to change without notice.

*Note: The drawings used in this manual are not to scale and are for reference purpose only. The information contained in these drawings constitutes the intellectual Property, including, but not limited to, knowledge, trade secrets, and proprietary information which is the exclusive property of Garaventa (Canada) Limited. All information contained in this manual is to be held in the strictest confidence by the recipient, and is not to be copied, disclosed to, or transmitted to any parties without the express written authorization of Garaventa (Canada) Limited. ©2002 Garaventa (Canada) Ltd.*

**TABLE OF CONTENTS**

**PAGE 1**

INTRODUCTION.....2

**DESCRIPTION** **PAGE NUMBER**

---

**Platform Assembly.....4-7**

**Lower Gate Assembly 35”.....8-9**

**Upper Gate Assembly 35”.....10-11**

**Lower Gate Assembly 38”.....12-13**

**Upper Gate Assembly 35”.....14-15**

**Blank Gate Assembly (35”/38”).....16-17**

**Upper & Lower Gate Frame Assembly.....18-19**

**Lower Mechanical Interlock Assembly.....20-21**

**Upper Mechanical Interlock Assembly.....22-23**

**Gate Handle Assembly.....24-25**

**Gate Closer Assembly.....26-27**

**Upper Landing Call Station Assembly .....28-29**

**Remote Lower landing Call Station Assembly.....30-31**

**Platform Inner Wall Assembly.....32-33**

**Control Module Assembly.....34-35**

**Platform Outer Wall Assembly.....36-37**

**Limit Sensing Switch Assembly.....38-39**

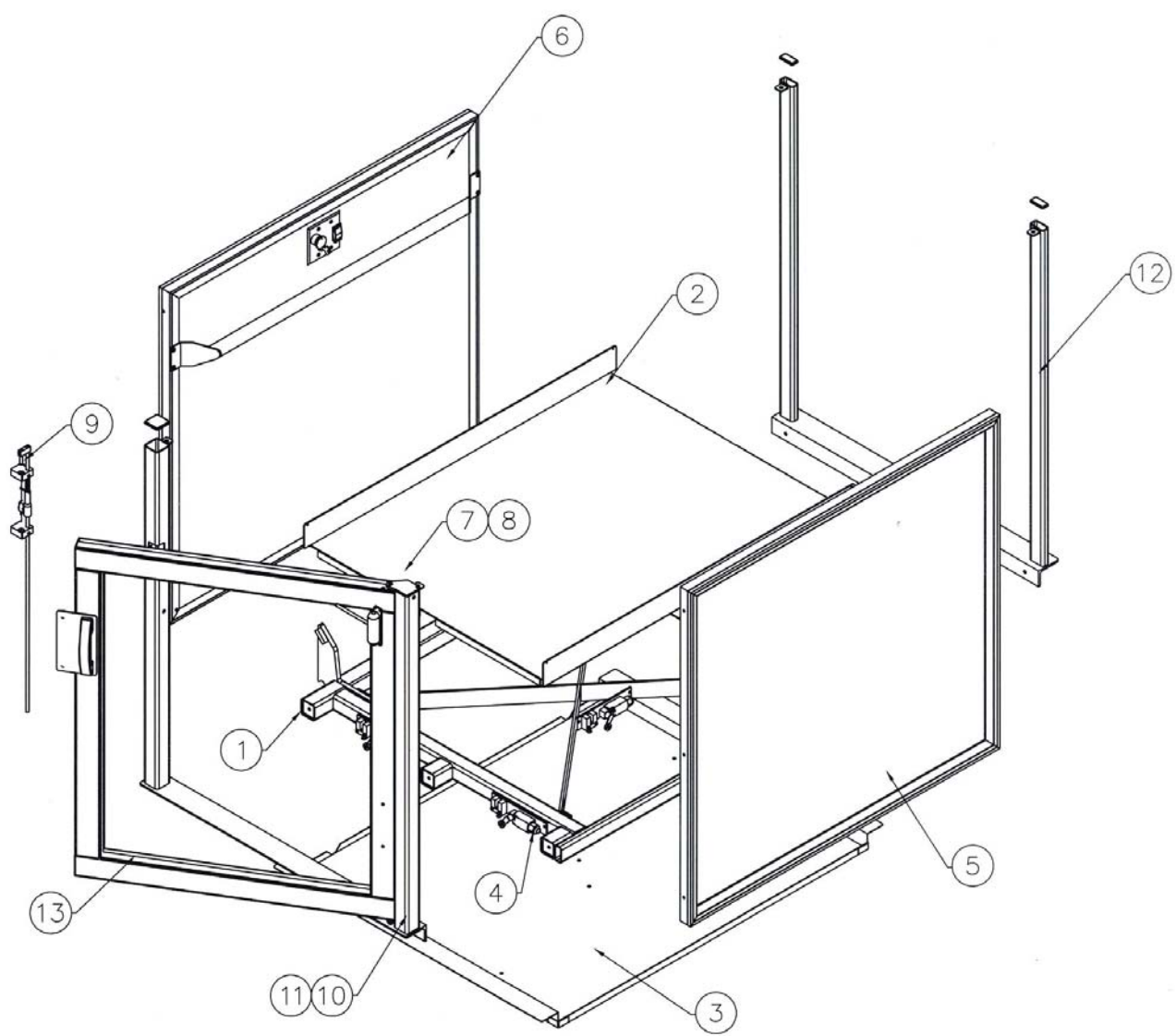
**Lower Limit Switch Assembly.....40-41**

**Upper Limit Switch Assembly.....42-43**

**Lead Screw Control Box Assembly.....44**

**List Of Labels.....45**

**Revision History.....46**



## Platform Assembly Opal

### Page 1

Bubble No ( )	Part Number	Description
(1)	14269	ASSY,WELDMENT,PLATFORM,35"X48" <small>(Only for 35"X48" &amp; 35"X54" Platforms)</small>
	15023	ASSY,WELDMENT,PLATFORM,42X60X90 <small>(Only for 42"X60"X90 Platform)</small>
(2)	14281	PLATE,FLOOR,35"X48",PLATFORM <small>(Only for 35"X48" Platform)</small>
	15078	PLATE,FLOOR,35"X54",PLATFORM <small>(Only for 35"X54" Platform)</small>
	15046	PLATE,FLOOR,42"x60"x90" PLATFORM <small>(Only for 42"X60"X90 Platform)</small>
(3)	14282	PLATE,SENSING,35"X48",PLATFORM <small>(Only for 35"X48" Platform)</small>
	15079	PLATE,SENSING,35"X54",PLATFORM <small>(Only for 35"X54" Platform)</small>
	15047	PLATE,SENSING,42"X60"X90 PLATFORM <small>(Only for 42"X60"X90 Platform)</small>
(4)	14245	ASSY,SENSING,SWITCH,LIMIT <small>(Note: See page #38 &amp; #39 of this manual for detailed view)</small>
No Bubble	15187	ASSY,WELD,TUBE,EXT,FRAME,PLAT,35X54 <small>(Only for 35"X54" Platform)</small>
No Bubble	15167	SCREW,M10X100,C'SUNK,SS,A2 <small>(Only for 35"X54" Platform)</small>
No Bubble	10677	SWITCH,SAFETY,LEVER
No Bubble	14283	HANGER,PLATE,SENSING
No Bubble	10521	SCREW,M6X50,SOCHD,CSUNK,SS,A2
No Bubble	10645	NUT,M6,NYLOCK,PLT
No Bubble	02824	SCREW,M4X30,PANHD,SLOTTED
No Bubble	03824	SCREW,M6X12,BUTTONHD,A2
No Bubble	01365	WASHER,M4,LOCK,PLT

## ***Platform Assembly Opal***

### ***Page 2***

<b>Bubble No ( )</b>	<b>Part Number</b>	<b>Description</b>
No Bubble	10332	PLUG,POLYMERIC
No Bubble	06608	WIRE,20AWG,TEW,WHT
No Bubble	09987	SCREW,M5X16,BUTTON/SOCHD,SS
No Bubble	09141	SCREW,M12X40,HEXHD,PLT
No Bubble	10520	NUT,M12,PLT
No Bubble	01379	WASHER,M12,FLAT,PLT
No Bubble	01371	WASHER,M12,LOCK,PLT

**Note: The Assemblies Listed Below Are Not Part Of The Platform Assembly But Are Shown On The Drawing On Page 4**

(5)	14246	ASSY,WALL,OUTER,180,PLATFORM,OPAL (Note: See page #36 & #37 of this manual for detailed view)
(6)	14247	ASSY,WALL,INNER,180,PLATFORM,OPAL (Note: See page #32 & #33 of this manual for detailed view)
(7)	14250	ASSY,HINGE,LH,OPAL
(8)	14327	ASSY,HINGE,RH,OPAL
(9)	14251	ASSY,INTERLOCK,MECHANICAL,LOWER,OPAL (Note: See page #20 & #21 of this manual for detailed view)
(10)	14254	ASSY,WELD,FRAME,GATE,LOWER,"LH-CUT",OPAL (Note: See page #18 & #19 of this manual for detailed view)
(11)	14255	ASSY,WELD,FRAME,GATE,LOWER,"RH-CUT",OPAL (Note: See page #18 & #19 of this manual for detailed view)
(12)	14256	ASSY,WELD,FRAME,END,GATE,SUPP,WALL,OPAL

## **Platform Assembly Opal**

### **Page 3**

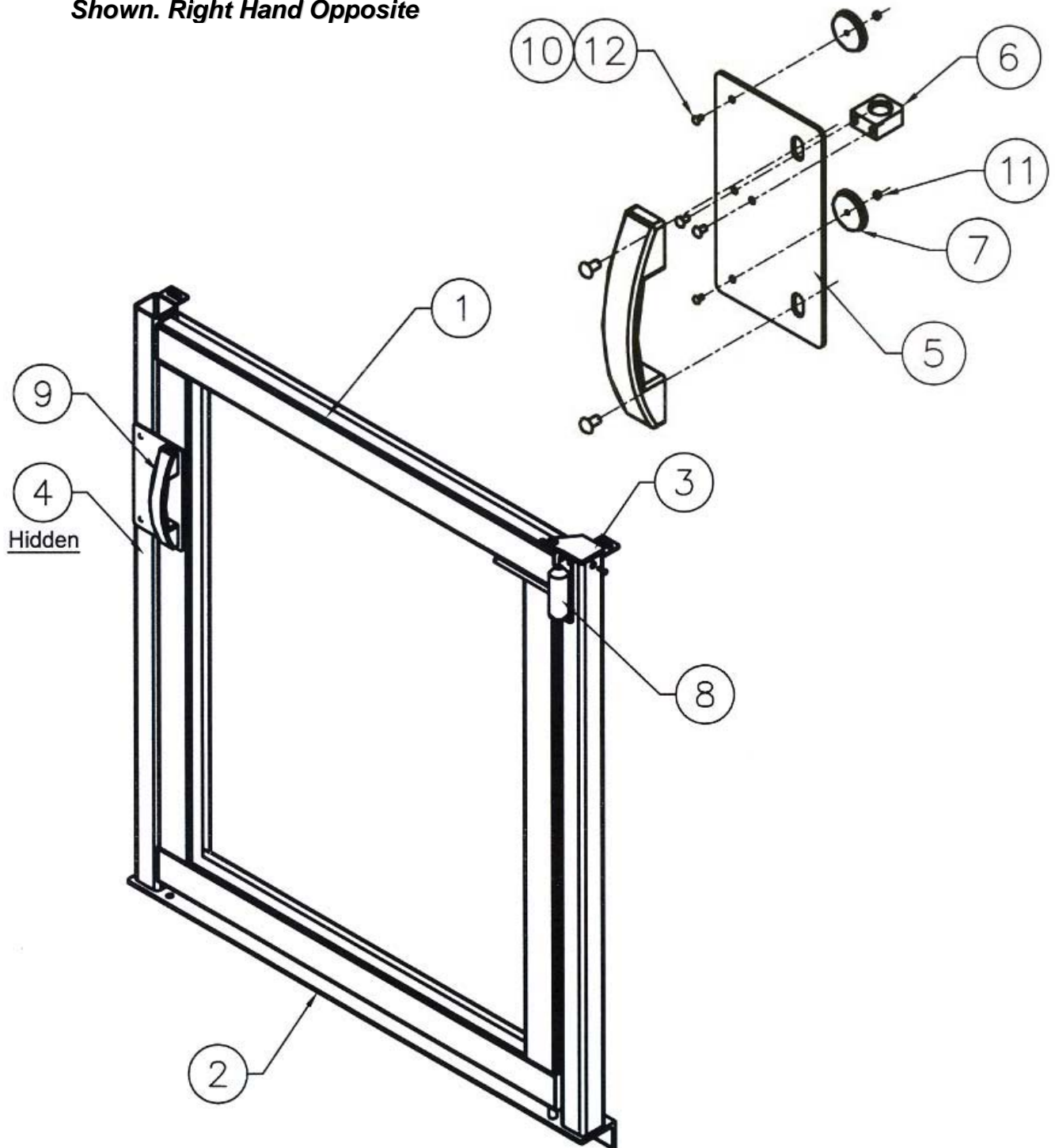
<b>Bubble No ( )</b>	<b>Part Number</b>	<b>Description</b>
(13)	14259	ASSY,GATE,STEEL,LH/RH,OPAL

(Note: See page #8,#9,#10 & #11 of this manual for detailed view)

### **Complete Assembly**

<b>Part #</b>	<b>Description</b>
14244	ASSY,PLATFORM,35"X48"X180,OPAL
15166	ASSY,PLATFORM,35"X54"X180,OPAL
15063	ASSY,PLATFORM,42"X60"X90,OPAL
15210	ASSY,PLATFORM,35"X48"X180,EXTREME,OPAL
15211	ASSY,PLATFORM,35"X54",180,EXTREME,OPAL
15212	ASSY,PLATFORM,42"X60"X90,EXTREME,OPAL

**NOTE : Left Hand Lower Gate Assy  
Shown. Right Hand Opposite**



**35" Lower Gate Assembly (LH/RH) OPAL**

## 35" Lower Gate Assembly (LH/RH) OPAL

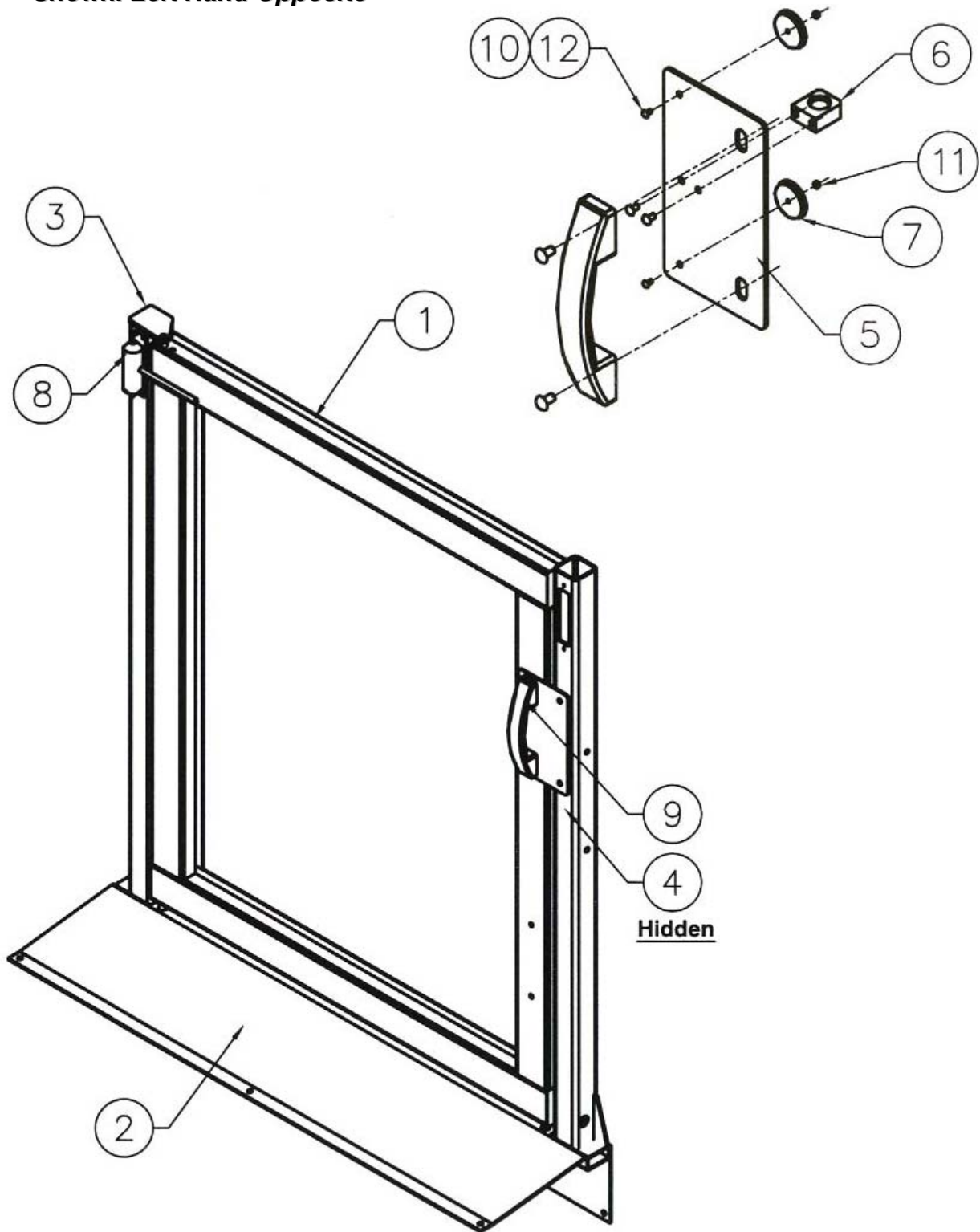
**Page 1**

Bubble No ( )	Part Number	Description
(1)	14765	<b>ASSY,GATE,BLANK,STD,STEEL,LH/RH,35"</b> <i>(For R.H &amp; L.H Door)</i>  (Note: See page #16 & #17 of this manual for detailed view)
(2)	14255	<b>ASSY,WELD,FRAME,GATE,LOWER,"RH-CUT"</b> <i>(Only for Right Hand Door)</i>  (Note: See page #18 & #19 of this manual for detailed view)
	14254	<b>ASSY,WELD,FRAME,GATE,LOWER,"LH-CUT"</b> <i>(Only for Left Hand Door)</i>  (Note: See page #18 & #19 of this manual for detailed view)
(3)	14327	<b>ASSY,HINGE,RH</b> <i>(Only for Right Hand Door)</i>
	14250	<b>ASSY,HINGE,LH</b> <i>(Only for Left Hand Door)</i>
(4)	14251	<b>ASSY,INTERLOCK,MECHANICAL,LOWER</b> <i>(For R.H &amp; L.H Door)</i>  (Note: See page #20 & #21 of this manual for detailed view) ( <b>Important</b> : Specify hand of door when ordering)
(5)	14345	<b>PLATE,LATCH,INTERLOCK</b> <i>(For R.H &amp; L.H Door)</i>
(6)	14346	<b>BLOCK,INTERLOCK,MECHANICAL</b> <i>(For R.H &amp; L.H Door)</i>
(7)	14347	<b>CUP,MAGNETIC,LATCH</b> <i>(For R.H &amp; L.H Door)</i>
(8)	13438	<b>ASSY,CLOSER,GATE</b> <i>(For R.H &amp; L.H Door)</i>
(9)	13439	<b>ASSY,HANDLE,DOOR/GATE</b> <i>(For R.H &amp; L.H Door)</i>
(10)	06125	<b>SCREW,M3X8,PANHD,PHILLIPS,SS,A2</b> <i>(For R.H &amp; L.H Door)</i>
(11)	11537	<b>NUT,M3,NYLOC,SS</b> <i>(For R.H &amp; L.H Door)</i>
(12)	11882	<b>WASHER,M3,PLAIN,SS</b> <i>(For R.H &amp; L.H Door)</i>
No Bubble	14360	<b>SWITCH,MAGNETIC,RECESSED,OPAL</b> <i>(For R.H &amp; L.H Door)</i>

### Complete Assembly

Part #	Description
14259	<b>ASSY,GATE,STEEL,35",LH,LOWER,OPAL</b>
14260	<b>ASSY,GATE,STEEL,35",RH,LOWER,OPAL</b>

**NOTE : Right Hand Upper Gate Assy  
Shown. Left Hand Opposite**



**35" Upper Gate Assembly (LH/RH) OPAL**

## 35" Upper Gate Assembly (LH/RH) OPAL

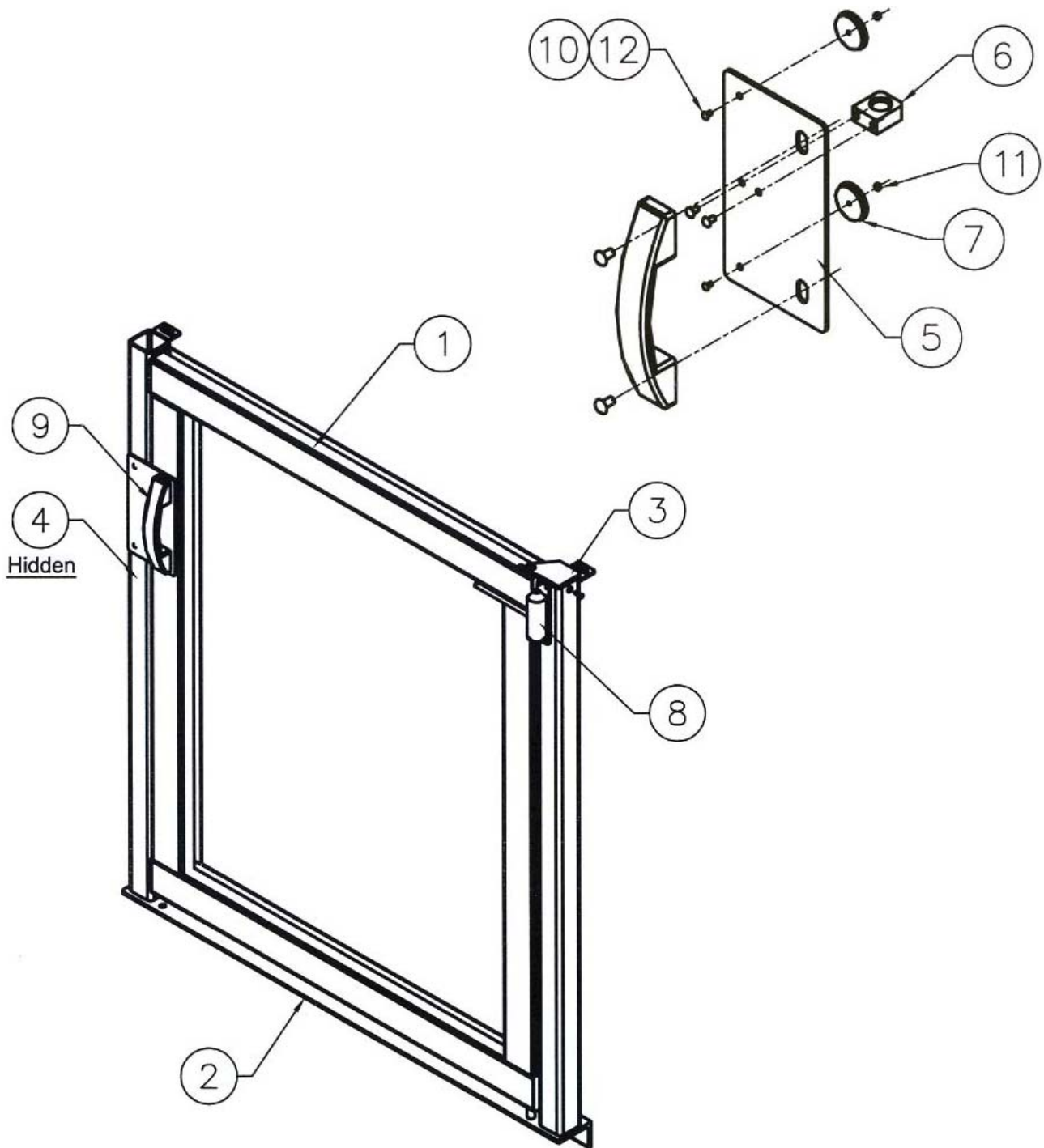
Page 1

Bubble No ( )	Part Number	Description
(1)	14765	<b>ASSY,GATE,BLANK,STD,STEEL,LH/RH,35"</b> <i>(For R.H &amp; L.H Door)</i>  (Note: See page #16 & #17 of this manual for detailed view)
(2)	14258	<b>ASSY,WELD,FRAME,GATE,UPPER,"RH-CUT"</b> <i>(Only for Right Hand Door)</i>  (Note: See page #18 & #19 of this manual for detailed view)
	14257	<b>ASSY,WELD,FRAME,GATE,UPPER,"LH-CUT"</b> <i>(Only for Left Hand Door)</i>  (Note: See page #18 & #19 of this manual for detailed view)
(3)	14327	<b>ASSY,HINGE,RH</b> <i>(Only for Right Hand Door)</i>
	14250	<b>ASSY,HINGE,LH</b> <i>(Only for Left Hand Door)</i>
(4)	14252	<b>ASSY,INTERLOCK,MECHANICAL,UPPER</b> <i>(For R.H &amp; L.H Door)</i>  (Note: See page #22 & #23 of this manual for detailed view) ( <b>Important</b> : Specify hand of door when ordering)
(5)	14345	<b>PLATE,LATCH,INTERLOCK</b> <i>(For R.H &amp; L.H Door)</i>
(6)	14346	<b>BLOCK,INTERLOCK,MECHANICAL</b> <i>(For R.H &amp; L.H Door)</i>
(7)	14347	<b>CUP,MAGNETIC,LATCH</b> <i>(For R.H &amp; L.H Door)</i>
(8)	13438	<b>ASSY,CLOSER,GATE</b> <i>(For R.H &amp; L.H Door)</i>
(9)	13439	<b>ASSY,HANDLE,DOOR/GATE</b> <i>(For R.H &amp; L.H Door)</i>
(10)	06125	<b>SCREW,M3X8,PANHD,PHILLIPS,SS,A2</b> <i>(For R.H &amp; L.H Door)</i>
(11)	11537	<b>NUT,M3,NYLOC,SS</b> <i>(For R.H &amp; L.H Door)</i>
(12)	11882	<b>WASHER,M3,PLAIN,SS</b> <i>(For R.H &amp; L.H Door)</i>
No Bubble	14360	<b>SWITCH,MAGNETIC,RECESSED,OPAL</b> <i>(For R.H &amp; L.H Door)</i>

### Complete Assembly

Part #	Description
14763	<b>ASSY,GATE,STEEL,35",RH,UPPER,OPAL</b>
14764	<b>ASSY,GATE,STEEL,35",LH,UPPER,OPAL</b>

**NOTE : Left Hand Lower Gate Assy  
Shown. Right Hand Opposite**



**38" Lower Gate Assembly (LH/RH) OPAL**

## 38" Lower Gate Assembly (LH/RH) OPAL

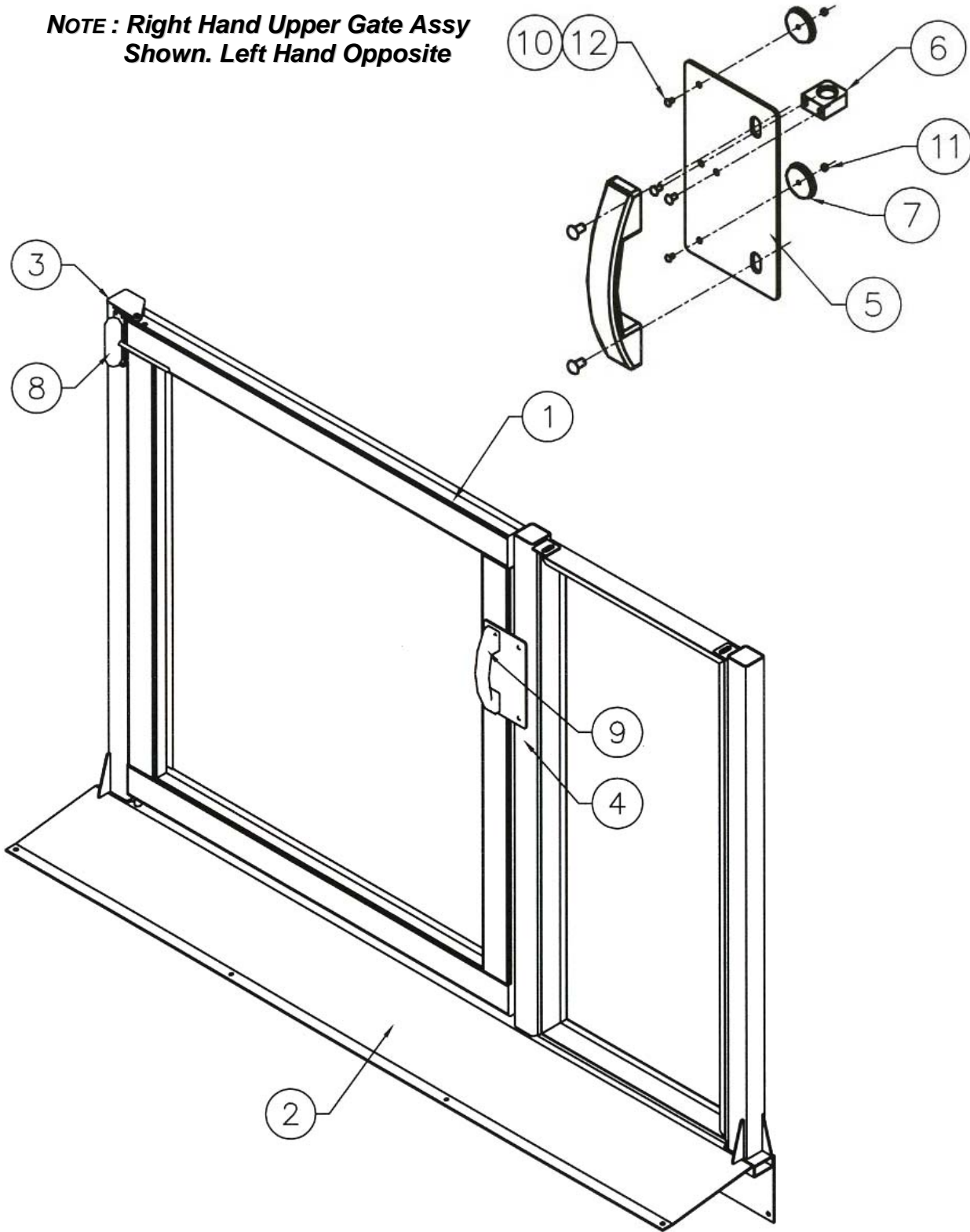
Page 1

Bubble No ( )	Part Number	Description
(1)	15071	<b>ASSY,GATE,BLANK,STD,STEEL,LH/RH,38"</b> <i>(For R.H &amp; L.H Door)</i>  (Note: See page #16 & #17 of this manual for detailed view)
(2)	15033	<b>ASSY,WELD,FRAME,GATE,LOWER,RH,42X60</b> <i>(Only for Right Hand Door)</i>  (Note: See page #18 & #19 of this manual for detailed view)
	15032	<b>ASSY,WELD,FRAME,GATE,LOWER,LH,42X60</b> <i>(Only for Left Hand Door)</i>  (Note: See page #18 & #19 of this manual for detailed view)
(3)	14327	<b>ASSY,HINGE,RH</b> <i>(Only for Right Hand Door)</i>
	14250	<b>ASSY,HINGE,LH</b> <i>(Only for Left Hand Door)</i>
(4)	14251	<b>ASSY,INTERLOCK,MECHANICAL,LOWER</b> <i>(For R.H &amp; L.H Door)</i>  (Note: See page #20 & #21 of this manual for detailed view) ( <b>Important</b> : Specify hand of door when ordering)
(5)	14345	<b>PLATE,LATCH,INTERLOCK</b> <i>(For R.H &amp; L.H Door)</i>
(6)	14346	<b>BLOCK,INTERLOCK,MECHANICAL</b> <i>(For R.H &amp; L.H Door)</i>
(7)	14347	<b>CUP,MAGNETIC,LATCH</b> <i>(For R.H &amp; L.H Door)</i>
(8)	13438	<b>ASSY,CLOSER,GATE</b> <i>(For R.H &amp; L.H Door)</i>
(9)	13439	<b>ASSY,HANDLE,DOOR/GATE</b> <i>(For R.H &amp; L.H Door)</i>
(10)	06125	<b>SCREW,M3X8,PANHD,PHILLIPS,SS,A2</b> <i>(For R.H &amp; L.H Door)</i>
(11)	11537	<b>NUT,M3,NYLOC,SS</b> <i>(For R.H &amp; L.H Door)</i>
(12)	11882	<b>WASHER,M3,PLAIN,SS</b> <i>(For R.H &amp; L.H Door)</i>
No Bubble	14360	<b>SWITCH,MAGNETIC,RECESSED,OPAL</b> <i>(For R.H &amp; L.H Door)</i>

### Complete Assembly

Part #	Description
15067	<b>ASSY,GATE,STEEL,38",LH,LOWER,OPAL</b>
15068	<b>ASSY,GATE,STEEL,38",RH,LOWER,OPAL</b>

**NOTE : Right Hand Upper Gate Assy  
Shown. Left Hand Opposite**



**38" Upper Gate Assembly (LH/RH) OPAL**

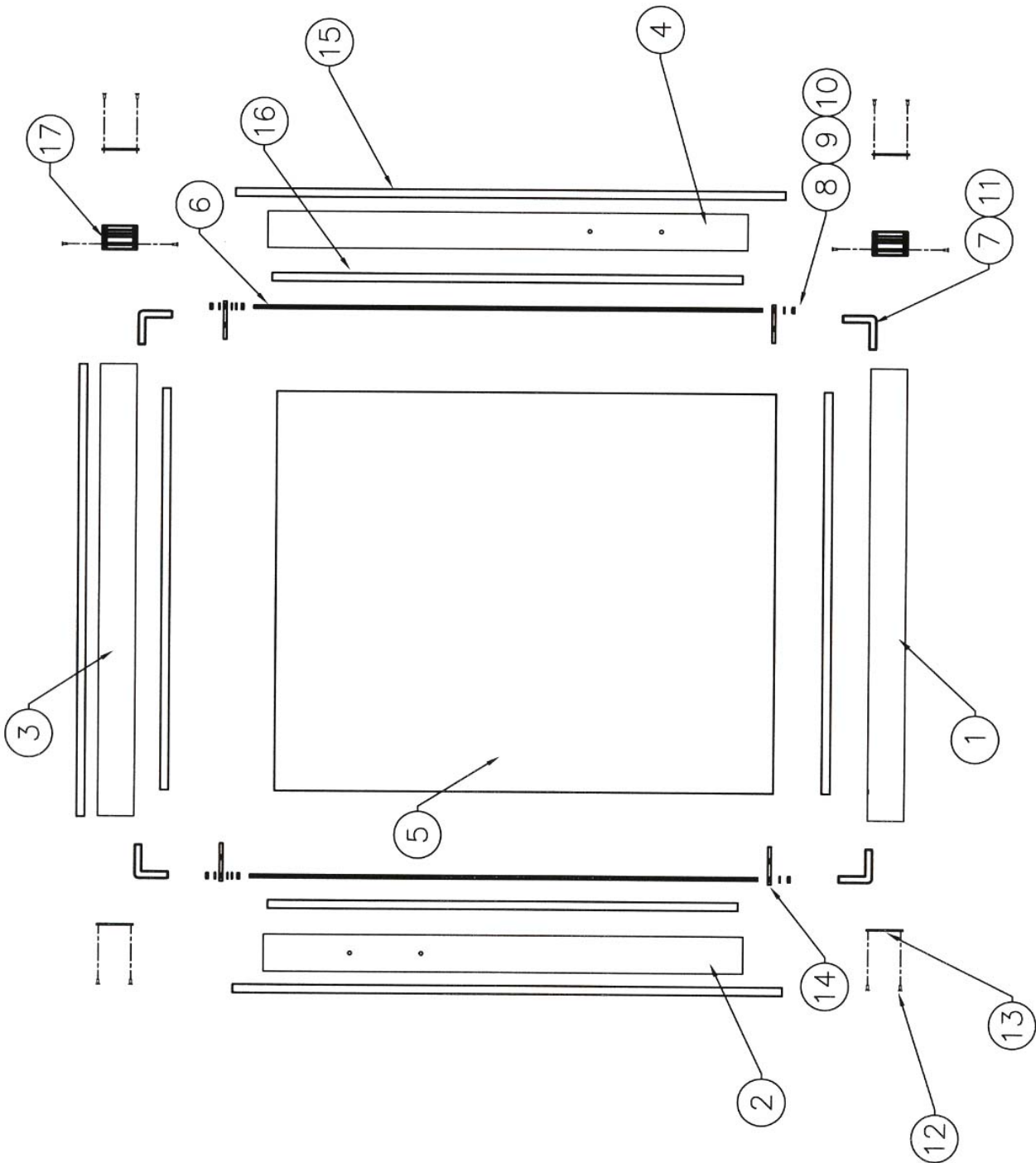
## 38" Upper Gate Assembly (LH/RH) OPAL

Page 1

Bubble No ( )	Part Number	Description
(1)	15071	ASSY,GATE,BLANK,STD,STEEL,LH/RH,38" <i>(For R.H &amp; L.H Door)</i>  <i>(Note: See page #16 &amp; #17 of this manual for detailed view)</i>
(2)	15041	ASSY,WELD,FRAME,GATE,UPPER,RH,42X60 <i>(Only for Right Hand Door)</i>  <i>(Note: See page #18 &amp; #19 of this manual for detailed view)</i>
	15042	ASSY,WELD,FRAME,GATE,UPPER,LH,42X60 <i>(Only for Left Hand Door)</i>  <i>(Note: See page #18 &amp; #19 of this manual for detailed view)</i>
(3)	14327	ASSY,HINGE,RH <i>(Only for Right Hand Door)</i>
	14250	ASSY,HINGE,LH <i>(Only for Left Hand Door)</i>
(4)	14252	ASSY,INTERLOCK,MECHANICAL,UPPER <i>(For R.H &amp; L.H Door)</i>  <i>(Note: See page #22 &amp; #23 of this manual for detailed view)</i> <b>( Important : Specify hand of door when ordering)</b>
(5)	14345	PLATE,LATCH,INTERLOCK <i>(For R.H &amp; L.H Door)</i>
(6)	14346	BLOCK,INTERLOCK,MECHANICAL <i>(For R.H &amp; L.H Door)</i>
(7)	14347	CUP,MAGNETIC,LATCH <i>(For R.H &amp; L.H Door)</i>
(8)	13438	ASSY,CLOSER,GATE <i>(For R.H &amp; L.H Door)</i>
(9)	13439	ASSY,HANDLE,DOOR/GATE <i>(For R.H &amp; L.H Door)</i>
(10)	06125	SCREW,M3X8,PANHD,PHILLIPS,SS,A2 <i>(For R.H &amp; L.H Door)</i>
(11)	11537	NUT,M3,NYLOC,SS <i>(For R.H &amp; L.H Door)</i>
(12)	11882	WASHER,M3,PLAIN,SS <i>(For R.H &amp; L.H Door)</i>
No Bubble	14360	SWITCH,MAGNETIC,RECESSED,OPAL <i>(For R.H &amp; L.H Door)</i>

### Complete Assembly

Part #	Description
15070	ASSY,GATE,STEEL,38",RH,UPPER,OPAL
15069	ASSY,GATE,STEEL,38",LH,UPPER,OPAL



**38''/35'' Blank Gate Assembly (LH/RH) OPAL**

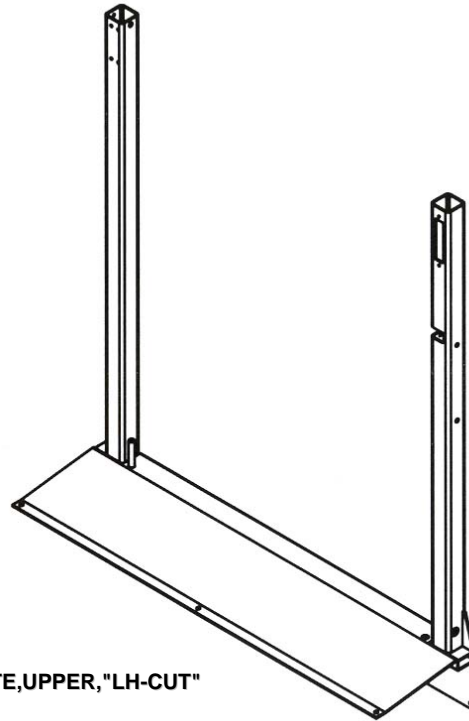
## 38"/35" Blank Gate Assembly (LH/RH) OPAL

Page 1

Bubble No ( )	Part Number	Description
(1)	14343	RAIL,DOOR/GATE,LOWER,35" <span style="float: right;"><i>(Only for 35" Doors)</i></span>
	15049	RAIL,GATE,LOWER,38",42"X60"X90 <span style="float: right;"><i>(Only for 38" Doors)</i></span>
(2)	14344	STILE,GATE,SIDE,LATCH <span style="float: right;"><i>(For 35" &amp; 38" Doors)</i></span>
(3)	14341	RAIL,DOOR/GATE,UPPER,35" <span style="float: right;"><i>(Only for 35" Doors)</i></span>
	15048	RAIL,GATE,UPPER,38",42"X60"X90 <span style="float: right;"><i>(Only for 38" Doors)</i></span>
(4)	14344	STILE,GATE,SIDE,LATCH <span style="float: right;"><i>(Only for 35" Doors)</i></span>
	14293	STILE,GATE,SIDE,HINGE <span style="float: right;"><i>(Only for 38" Doors)</i></span>
(5)	14342	SHEET,DOOR/GATE,35" <span style="float: right;"><i>(Only for 35" Doors)</i></span>
	15050	SHEET,GATE,38",42"X60"X90 <span style="float: right;"><i>(Only for 38" Doors)</i></span>
(6)	11078	TIEROD,DOOR,968MM <span style="float: right;"><i>(For 35" &amp; 38" Doors)</i></span>
(7)	12149	BRACKET,CORNER,SLIDE/FIXED,MOULDED <span style="float: right;"><i>(For 35" &amp; 38" Doors)</i></span>
(8)	07243	NUT,0.25NC,PLT <span style="float: right;"><i>(For 35" &amp; 38" Doors)</i></span>
(9)	11380	WASHER,0.25",LOCK,PLT <span style="float: right;"><i>(For 35" &amp; 38" Doors)</i></span>
(10)	10387	WASHER,0.25",FLAT,SS <span style="float: right;"><i>(For 35" &amp; 38" Doors)</i></span>
(11)	01409	SCREW,M6X10,SOC,SET,CUPPOINT,SS,A2 <span style="float: right;"><i>(For 35" &amp; 38" Doors)</i></span>
(12)	11426	SCREW,M4X10,CSUNK,PHILLIPS,SS,A2 <span style="float: right;"><i>(For 35" &amp; 38" Doors)</i></span>
(13)	10779	CAP,PLATE,DOOR,VL <span style="float: right;"><i>(For 35" &amp; 38" Doors)</i></span>
(14)	12734	PLATE,REINFORCING,DOOR,GATE <span style="float: right;"><i>(For 35" &amp; 38" Doors)</i></span>
(15)	13044	EXTRUSION,CHANNEL,DOORS,CORNER,BLACK <span style="float: right;"><i>(For 35" &amp; 38" Doors)</i></span>
(16)	10782	EXTRUSION,STRP,PNL,RIGID,16GA,GREY,GEN <span style="float: right;"><i>(For 35" &amp; 38" Doors)</i></span>
(17)	14312	BLOCK,PIVOT,HINGE,OPAL <span style="float: right;"><i>(For 35" &amp; 38" Doors)</i></span>

### Complete Assembly

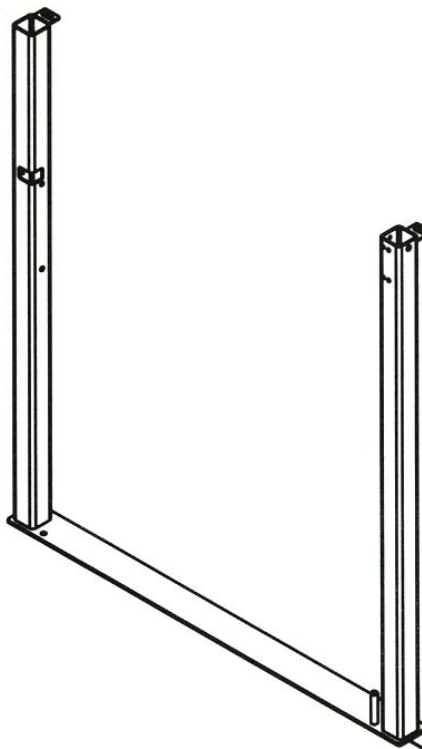
Part #	Description
14765	ASSY,GATE,BLANK,STD,STEEL,LH/RH,35",OPAL
15071	ASSY,GATE,BLANK,STD,STEEL,LH/RH,38",OPAL



**Note :** Right Hand Shown  
Left Hand Opposite

14257 ASSY,WELD,FRAME,GATE,UPPER,"LH-CUT"

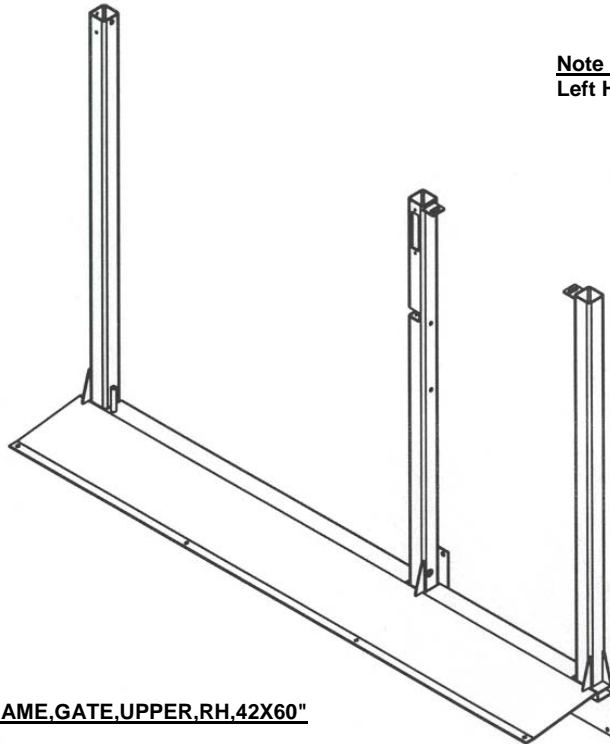
14258 ASSY,WELD,FRAME,GATE,UPPER,"RH-CUT"



**Note :** Left Hand Shown  
Right Hand Opposite

14255 ASSY,WELD,FRAME,GATE,LOWER,"RH-CUT"

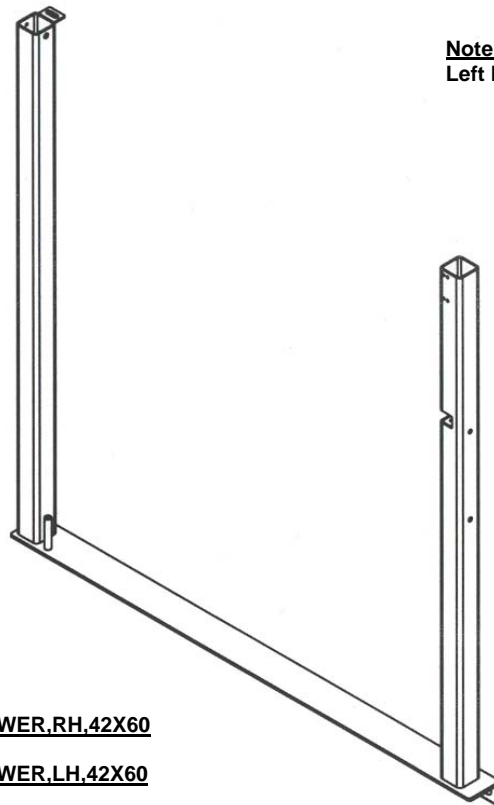
14254 ASSY,WELD,FRAME,GATE,LOWER,"LH-CUT"



**Note :** Right Hand Shown  
Left Hand Opposite

15041 ASSY,WELD,FRAME,GATE,UPPER,RH,42X60"

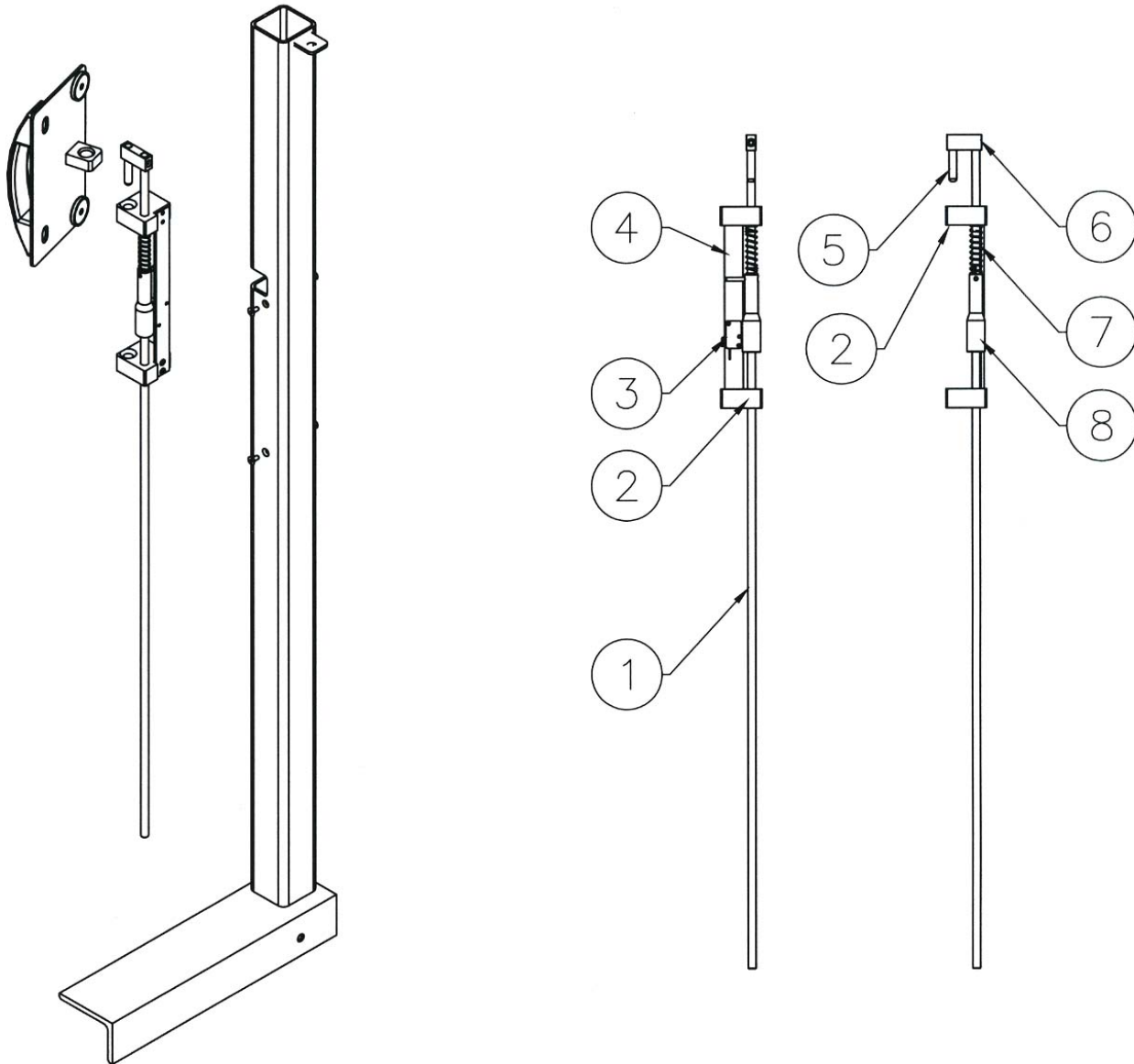
15042 ASSY,WELD,FRAME,GATE,UPPER,LH,42X60



**Note :** Right Hand Shown  
Left Hand Opposite

15033 ASSY,WELD,FRAME,GATE,LOWER,RH,42X60

15032 ASSY,WELD,FRAME,GATE,LOWER,LH,42X60



### ***Lower Mechanical Interlock Assembly OPAL***

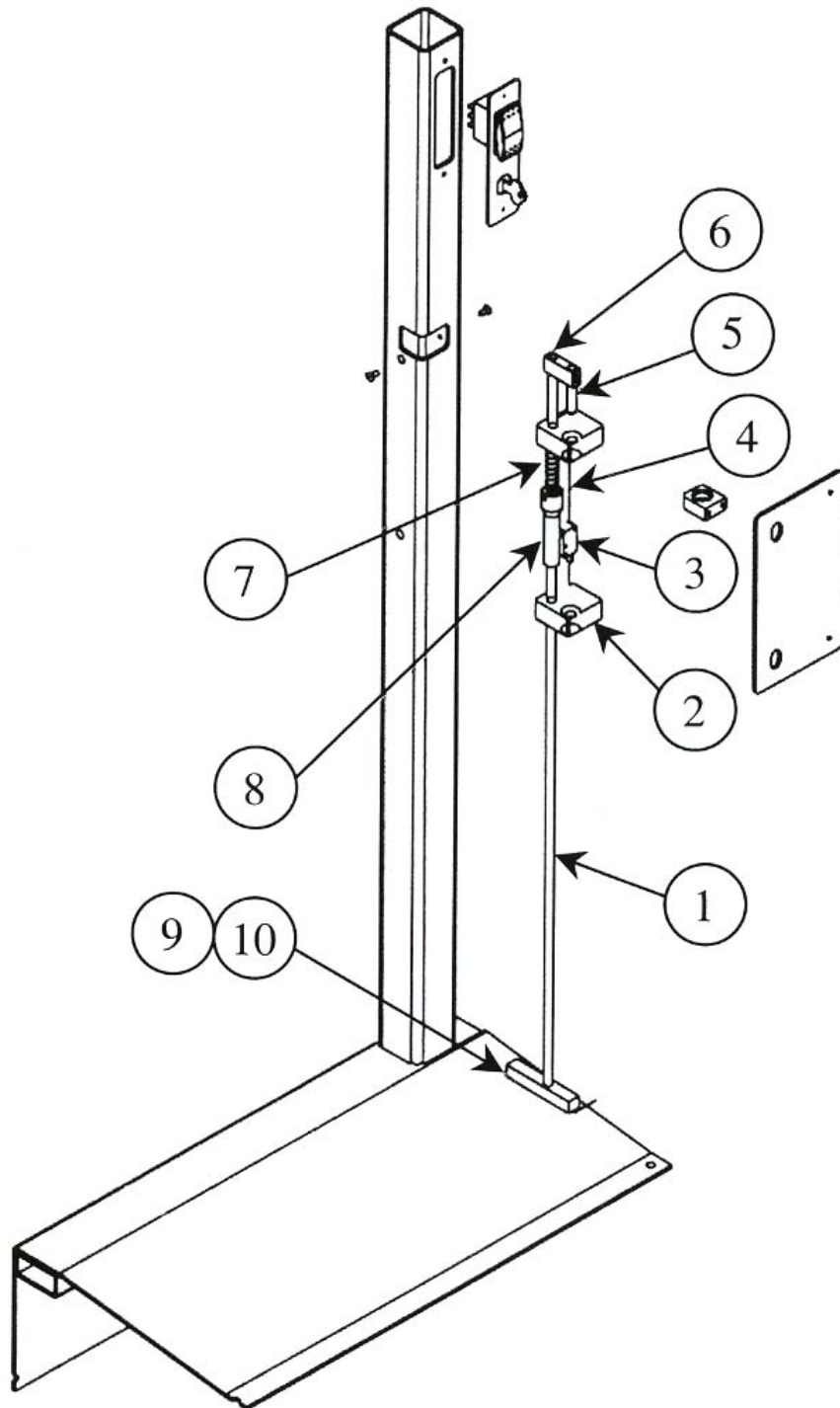
## **Lower Mechanical Interlock Assembly OPAL**

**Page 1**

<b>Bubble No ( )</b>	<b>Part Number</b>	<b>Description</b>	<b>Qty</b>
(1)	14314	ROD,GATE,INTERLOCK,MECHANICAL,LOWER	1
(2)	14316	BLOCK,GUIDE,INTERLOCK,MECH,UPER/LWR	2
(3)	09091	SWITCH,SAFETY,DISPL,POS,C/A	1
(4)	14317	PLATE,MOUNT,SWITCH,LIMIT,INTERLOCK	1
(5)	14318	PIN,INTERLOCK,MECHANICAL	1
(6)	14319	BLOCK,MOUNT,LINKAGE,INTERLOCK	1
(7)	12815	SPRING,CLEARANCE,SAFETY,MECHANICAL	2
(8)	14320	ACTUATOR,ARM,SWITCH,LIMIT,I.M.	1
No Bubble	01521	PIN,SPLIT,4X30	2
No Bubble	14321	SCREW,M4X16,CS,PHILLIPS,SS,A2	2
No Bubble	14322	SCREW,ST4.2X16,PHILLIPS,SS,A2,OPAL	8
No Bubble	10315	SCREW,M3X14,CHEESEHD,PHILLIPS,SS	2
No Bubble	04398	CONNECTOR,BUTTSPLICE,RED	4
No Bubble	09944	CONNECTOR,FEMALE,DISC,RED,RIGHTANGLE	2
No Bubble	09937	CABLE,20AWG,4CONDUCTOR,FT4	6Mtrs

### **Complete Assembly**

<b>Part #</b>	<b>Description</b>
14251	ASSY,INTERLOCK,MECHANICAL,LOWER



***Upper Mechanical Interlock Assembly OPAL***

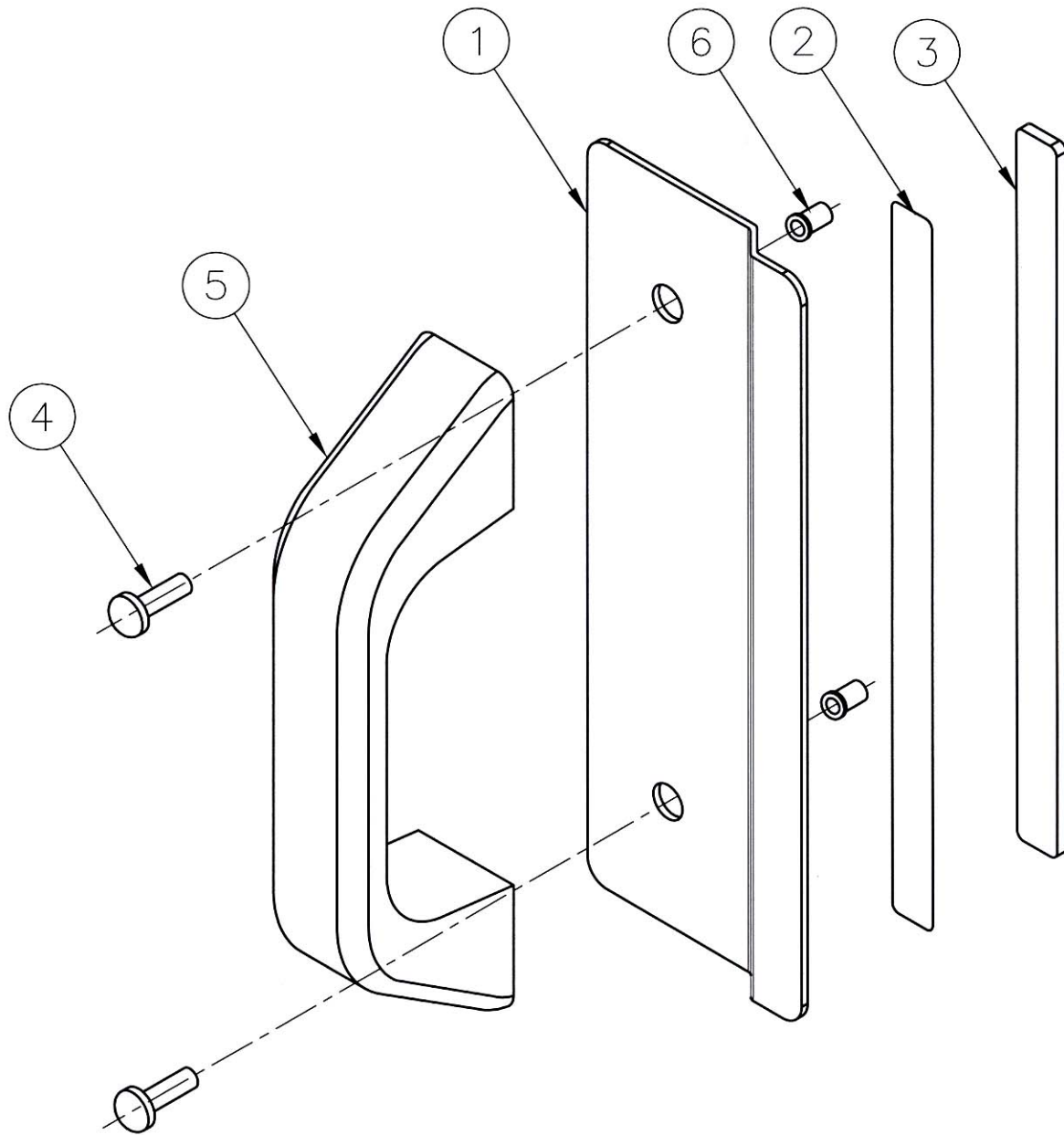
## **Upper Mechanical Interlock Assembly OPAL**

**Page 1**

<b>Bubble No ( )</b>	<b>Part Number</b>	<b>Description</b>	<b>Qty</b>
(1)	14315	ROD,GATE,INTERLOCK,MECHANICAL,UPPER,OPAL	1
(2)	14316	BLOCK,GUIDE,INTERLOCK,MECH,UPER/LWR,OPAL	2
(3)	09191	SWITCH,SAFETY,DISPL,POS,C/A	1
(4)	14317	PLATE,MOUNT,SWITCH,LIMIT,INTERLOCK,OPAL	1
(5)	14318	PIN,INTERLOCK,MECHANICAL,OPAL	1
(6)	14319	BLOCK,MOUNT,LINKAGE,INTERLOCK,OPAL	1
(7)	12815	SPRING,CLEARANCE,SAFETY,MECHANICAL	2
(8)	14320	ACTUATOR,ARM,SWITCH,LIMIT,I.M.,OPAL	1
(9)	14323	ARM,ACTUATOR,INTERLOCK,UPPER,OPAL	1
(10)	14324	SCREW,M4X50,CS,PHILLIPS,SS,OPAL	1
No Bubble	01521	PIN,SPLIT,4X30	1
No Bubble	14321	SCREW,M4X16,CS,PHILLIPS,SS,A2	2
No Bubble	14322	SCREW,ST4.2X16,PHILLIPS,SS,A2,OPAL	8
No Bubble	10315	SCREW,M3X14,CHEESEHD,PHILLIPS,SS	2
No Bubble	04398	CONNECTOR,BUTTSPLICE,RED	4
No Bubble	09944	CONNECTOR,FEMALE,DISC,RED,RIGHTANGLE	4
No Bubble	09937	CABLE,20AWG,4CONDUCTOR,FT4	10Mtrs

### **Complete Assembly**

<b>Part #</b>	<b>Description</b>
14252	ASSY,INTERLOCK,MECHANICAL,UPPER



### **Gate Handle Assembly**

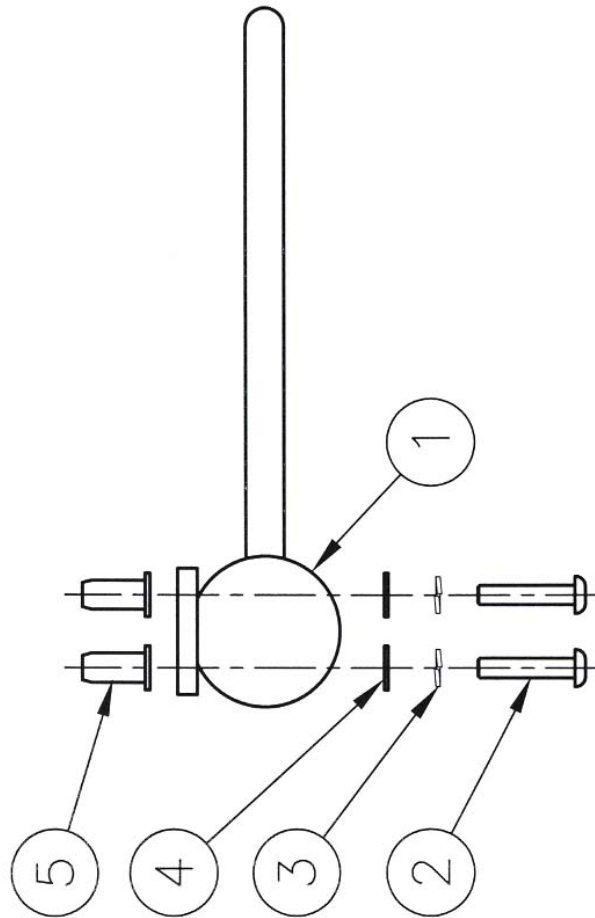
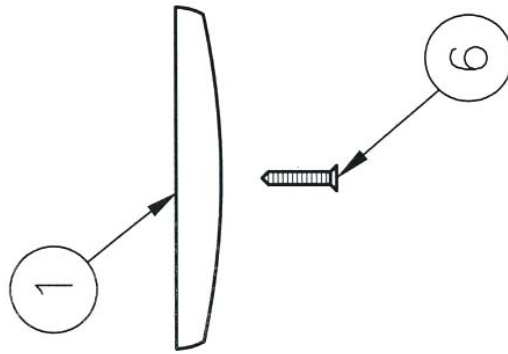
## **Gate Handle Assembly**

### **Page 1**

<b>Bubble No ( )</b>	<b>Part Number</b>	<b>Description</b>	<b>Qty</b>
(1)	10778	PLATE,ESCUTCHEON	1
(2)	12856	TAPE,DOUBLESIDE,0.5"WIDE	0.2Mtrs
(3)	12855	BUMPER,DOOR,GATE,EDPM	1
(4)	08408	SCREW,M5X16,PANHD,PHILLIPS,SS,A2	2
(5)	10946	HANDLE,DOOR	1
(6)	11714	RIVENUT,M5,0-2.0,BLIND,SS	2

### **Complete Assembly**

<b>Part #</b>	<b>Description</b>
13439	ASSY,HANDLE,DOOR/GATE,GENESIS



**Gate Closer Assembly**

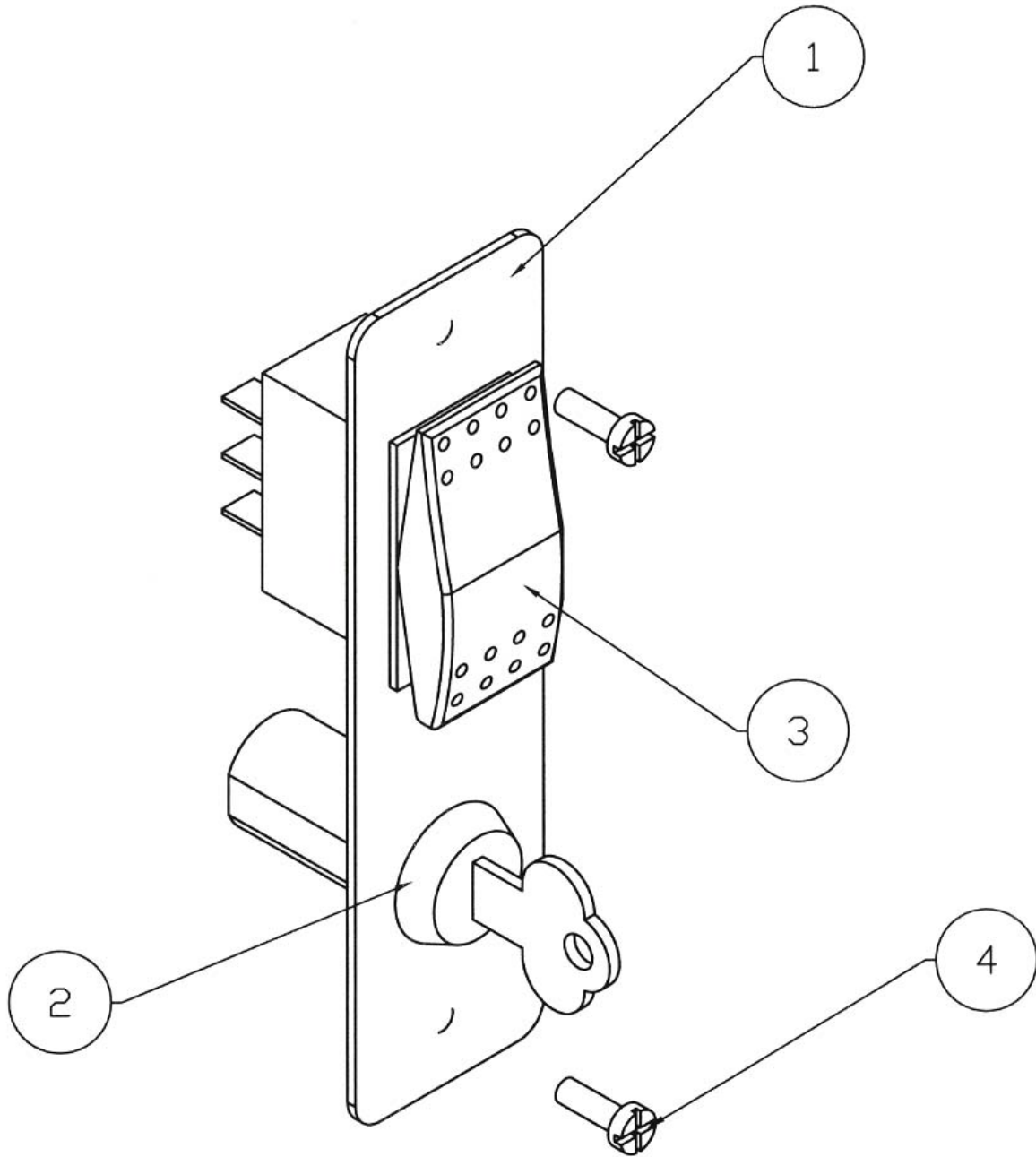
## **Gate Closer Assembly**

### **Page 1**

<b>Bubble No ( )</b>	<b>Part Number</b>	<b>Description</b>	<b>Qty</b>
(1)	10945	CLOSER,DOOR,SPRING,MINI,VL	1
(2)	12664	SCREW,M4X20,SOC/BUTTONHD,SS,A2	4
(3)	07806	WASHER,M4,LOCK,SS,A2	4
(4)	06319	WASHER,M4,FLAT,SS,A2	4
(5)	13506	NUTSERT,M4,ALUMINUM	4
(6)	11950	SCREW,#4X0.625",FLATHD,CSUNK,SS,A2	1

### **Complete Assembly**

<b>Part #</b>	<b>Description</b>
13438	ASSY,CLOSER,GATE,GENESIS



### ***Upper Landing Call Station Assembly OPAL***

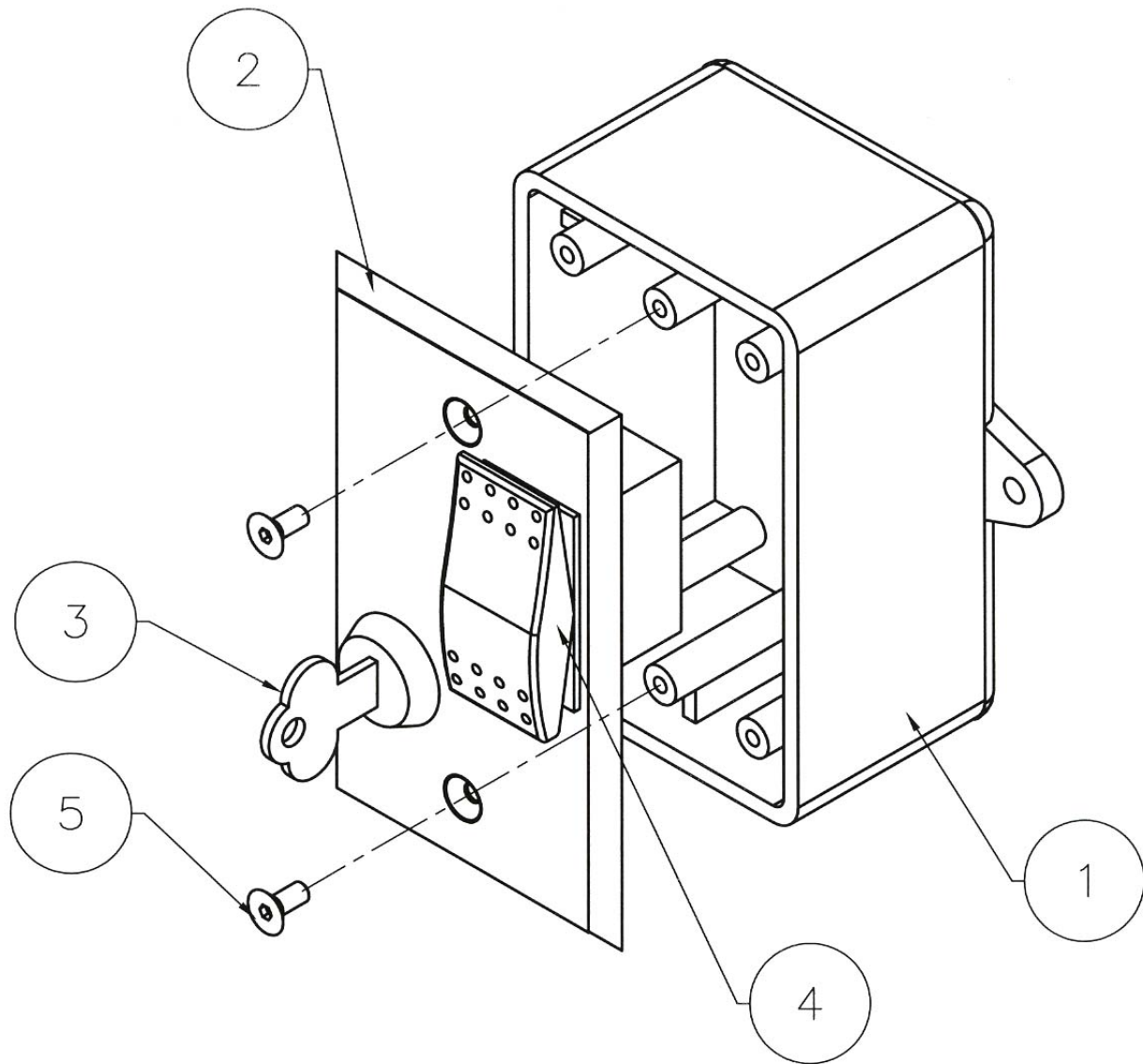
## Upper Landing Call Station Assembly OPAL

**Page 1**

Bubble No ( )	Part Number	Description	Qty
(1)	14349	FACEPLATE,CALLSTATION,UPPER,OPAL	1
(2)	10098	KEYSWITCH,SPDT <i>(Option Not Part Of Assembly)</i>	1
(3)	14299	SWITCH,ROCKER, CARLING,OPAL	1
(4)	06327	SCREW,M4X10,PANHD,PHILLIPS,SS,A2	2
No Bubble	11731	PLUG,KEYHOLE	1
No Bubble	09937	CABLE,20AWG,4CONDUCTOR,FT4	6 Mtrs
No Bubble	09944	CONNECTOR,FEMALE,DISC,RED,RIGHTANGLE	4

### Complete Assembly

Part #	Description
14348	ASSY,CALLSTN,FRAMEMNT,LANDING,UPPER,VLO



**Remote Lower Landing Call Station Assembly OPAL**

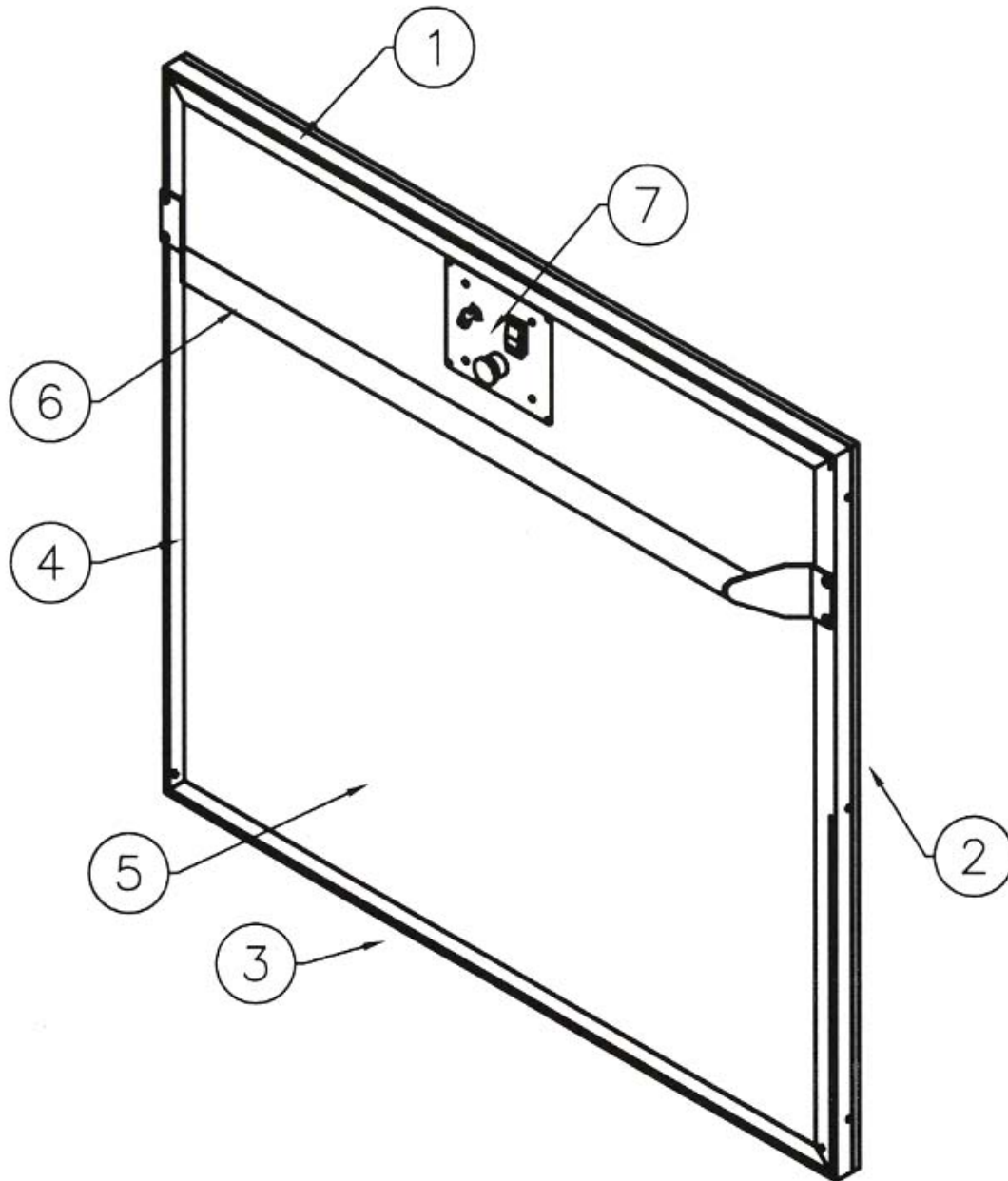
## Remote Lower Landing Call Station Assembly OPAL

### Page 1

Bubble No ( )	Part Number	Description	Qty
(1)	14325	BOX,CALLSTATION,ELECT,LANDING,LWR,OPAL	1
(2)	14326	FACEPLATE,CALLSTATION,REMOTE,LWR,OPAL	1
(3)	10098	KEYSWITCH,SPDT <i>(Option Not Part Of Assembly)</i>	1
(4)	14299	SWITCH,ROCKER, CARLING,OPAL	1
(5)	11426	SCREW,M4X10,CSUNK,PHILLIPS,SS,A2	2
No Bubble	11731	PLUG,KEYHOLE	1
No Bubble	09937	CABLE,20AWG,4CONDUCTOR,FT4	6 Mtrs
No Bubble	09944	CONNECTOR,FEMALE,DISC,RED,RIGHTANGLE	4

### Complete Assembly

Part #	Description
14253	ASSY,CALLSTN,WALLMOUNT,LANDING,LWR,OPAL



***Platform Inner Wall Assembly OPAL***

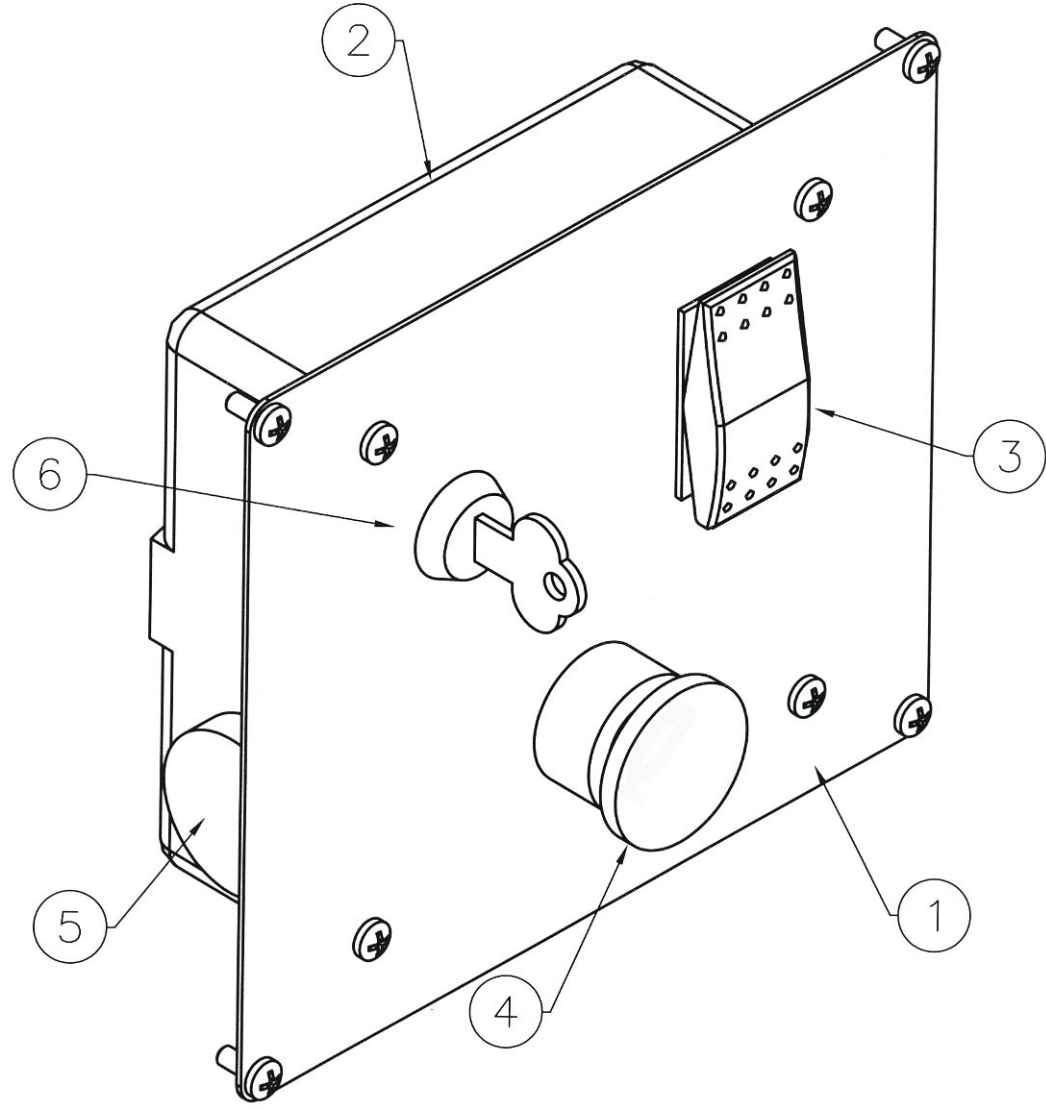
## Platform Inner Wall Assembly OPAL

Page 1

Bubble No ( )	Part Number	Description
(1)	14285	RAIL, TOP, WALL, INR/OTR, 180, PLAT, 35X48 <i>(Only for 48" platform)</i>
	15089	RAIL, TOP, WALL, INR/OTR, 180, PLAT, 35X54 <i>(Only for 54" platform)</i>
(2)	14289	RAIL, RH, WALL, INNER, 180, PLAT, 35X48 <i>(For 48" &amp; 54" platform)</i>
(3)	14290	RAIL, BTM, WALL, INNER, 180, PLAT, 35X48 <i>(Only for 48" platform)</i>
	15083	RAIL, BTM, WALL, INNER, 180, PLAT, 35X54 <i>(Only for 54" platform)</i>
(4)	14291	RAIL, LH, WALL, INNER, 180, PLAT, 35X48 <i>(For 48" &amp; 54" platform)</i>
(5)	14292	PANEL, WALL, INNER, 180, PLAT, 35X48 <i>(Only for 48" platform)</i>
	15084	PANEL, WALL, INNER, 180, PLAT, 35X54 <i>(Only for 54" platform)</i>
(6)	14248	ASSY, WELD, GRAB, WALL, INNER, 180, 35X48 <i>(Only for 48" platform)</i>
	15085	ASSY, WELD, GRAB, WALL, INNER, 180, 35X54 <i>(Only for 54" platform)</i>
(7)	14249	ASSY, CONTROLMODULE <i>(Not Part Of Assembly)</i>
		(Note: See page #34 & #35 of this manual for detailed view)
<u>No Bubble</u>	11714	RIVENUT, M5, 0-2.0, BLIND, SS <i>(For 48" &amp; 54" platform)</i>
<u>No Bubble</u>	09987	SCREW, M5X16, BUTTON/SOCHD, SS <i>(For 48" &amp; 54" platform)</i>
<u>No Bubble</u>	06485	WASHER, M5, FLAT, SS, A2 <i>(For 48" &amp; 54" platform)</i>
<u>No Bubble</u>	06484	WASHER, M5, LOCK, SS, A2 <i>(For 48" &amp; 54" platform)</i>

### Complete Assembly

Part #	Description
14247	ASSY, WALL, INNER, 180, PLATFORM, 35X48
15087	ASSY, WALL, INNER, 180, PLATFORM, 35X54



**Control Module Assembly OPAL**

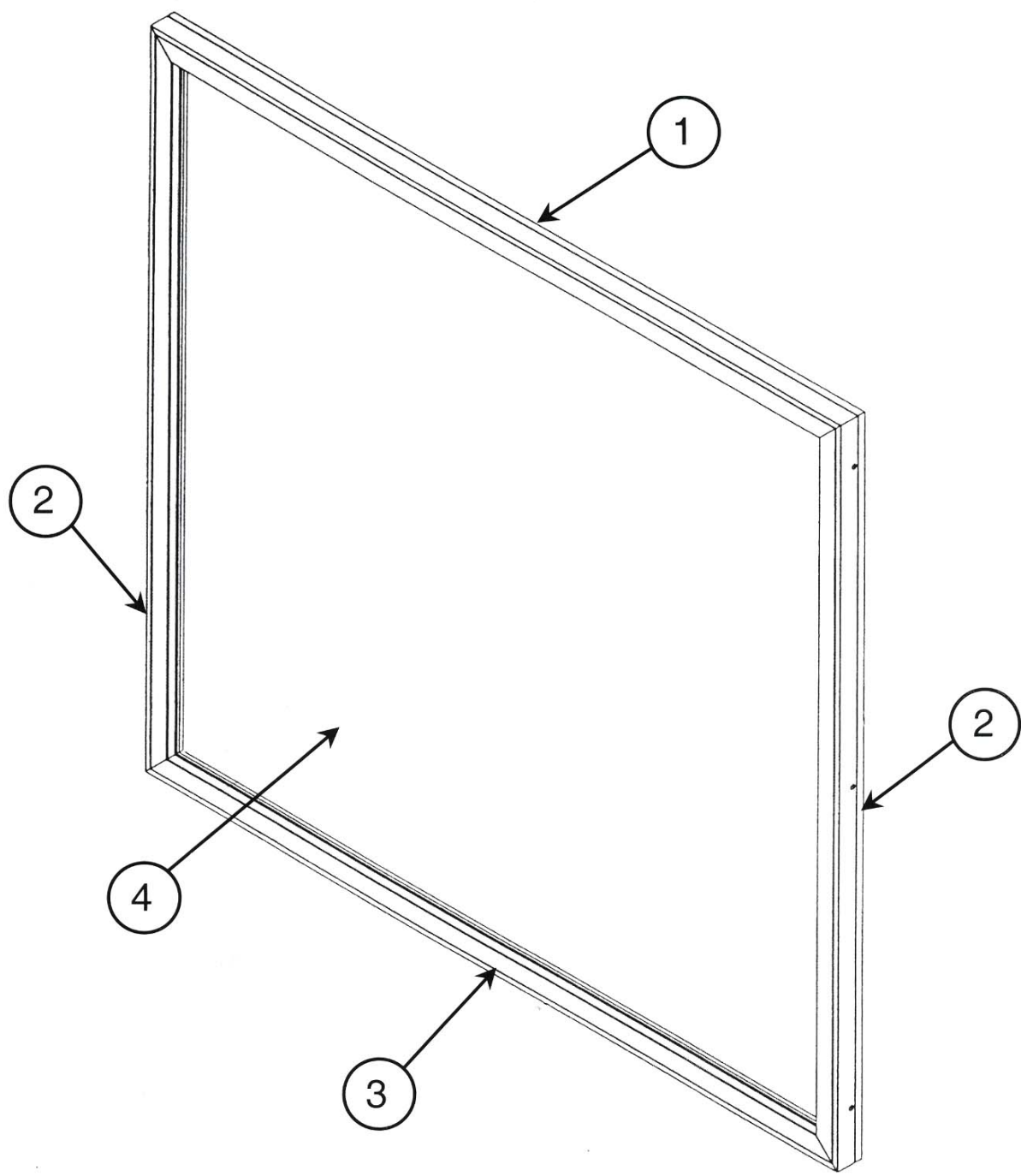
## Control Module Assembly OPAL

**Page 1**

Bubble No ( )	Part Number	Description	Qty
(1)	14296	FACEPLATE,CONTROLMODULE	1
(2)	14297	BOX,ELECTRICAL,CONTROLMODULE	1
(3)	14299	SWITCH,ROCKER, CARLING	1
(4)	14301	SWITCH,OPERATOR,E-STOP,ILLUM	1
<u>No Bubble</u>	14413	LAMP,INCANDESCENT,24V,TYPE 3797	1
(5)	04155	BUZZER	1
(6)	10098	KEYSWITCH,SPDT <i>(Option Not Part Of Assembly)</i>	1
<u>No Bubble</u>	04118	LABEL,"ALARM"	1
<u>No Bubble</u>	14010	PLATE,CONTROLMODULE,EMERGENCY,STOP	1
No Bubble	11272	CABLE,18AWG,15CONDUCTOR,CSA	4 Mtrs
No Bubble	10830	FITTING,CABLE,LIQUIDTIGHT	1
No Bubble	10195	CAPACITOR,100UF,63V,AXIAL	1
No Bubble	09944	CONNECTOR,FEMALE,DISC,RED,RIGHTANGLE	3
No Bubble	09305	CABLE,20AWG,2CONDUCTOR,WHT/BLK	1.5Mtrs
No Bubble	06601	PLUG,KEYHOLE,DOUBLE,"D"	1
No Bubble	14515	SCREW,8-32X0.5,PANHD,PHIL,SS	4
No Bubble	04013	CONNECTOR,FORK,VINYL,INSULATED,RED	4
No Bubble	04398	CONNECTOR,BUTTSPLICE,RED	8
No Bubble	09937	CABLE,20AWG,4CONDUCTOR,FT4	1.5Mtrs
No Bubble	04411	CABLETIE,MOUNTING,3.5"	5
No Bubble	14302	HOLDER,LAMP,SWITCH,E-STOP,ILLUM.	1
No Bubble	14303	CONTACT,NC,SWITCH,E-STOP,ILLUM.	1
No Bubble	14304	CONTACT,NO,SWITCH,E-STOP,ILLUM.	1

### Complete Assembly

Part #	Description
14249	ASSY,CONTROLMODULE,OPAL



**Platform Outer Wall Assembly OPAL**

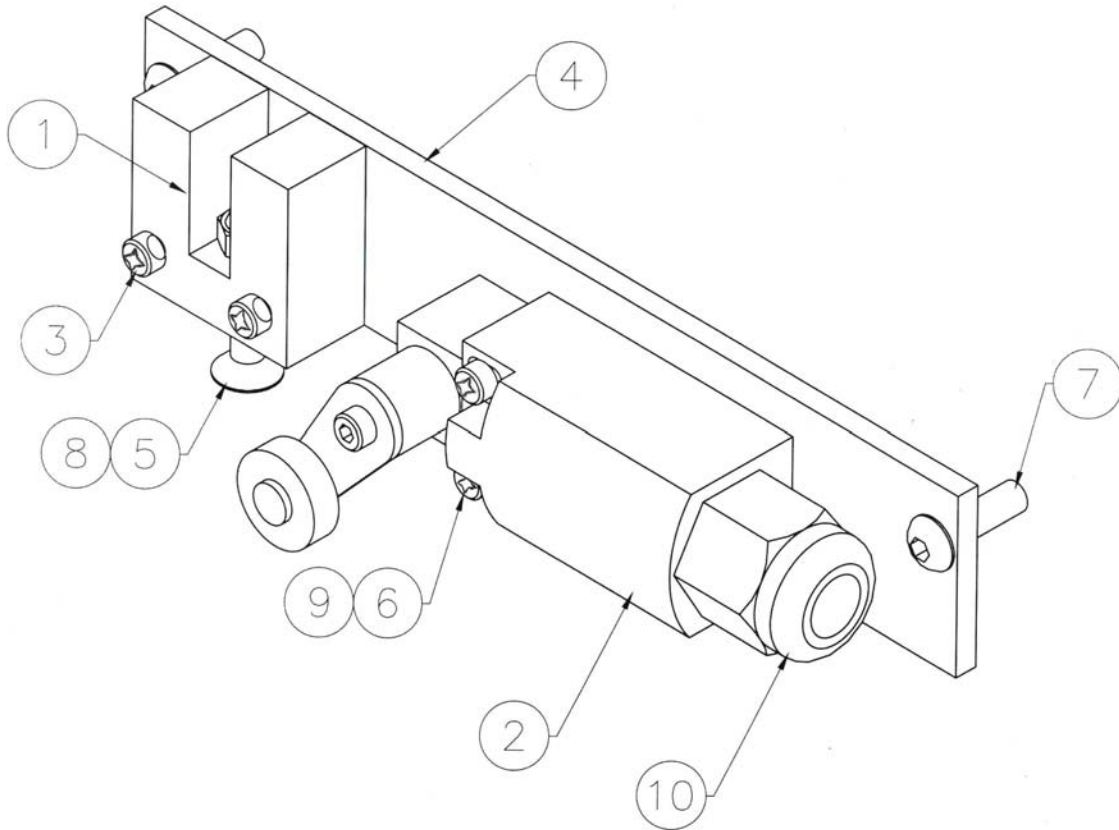
## Platform Outer Wall Assembly OPAL

Page 1

Bubble No ( )	Part Number	Description
(1)	14285	RAIL, TOP, WALL, INR/OTR, 180, PLAT, 35X48 <i>(Only for 48" platform)</i>
	15089	RAIL, TOP, WALL, INR/OTR, 180, PLAT, 35X54 <i>(Only for 54" platform)</i>
(2)	14286	RAIL, L/R, WALL, OUTER, 180, PLAT, 35X48 <i>(Only for 48" platform)</i>
(3)	14287	RAIL, BTM, WALL, OUTER, 180, PLAT, 35X48 <i>(Only for 48" platform)</i>
	15089	RAIL, TOP, WALL, INR/OTR, 180, PLAT, 35X54 <i>(Only for 54" platform)</i>
(4)	14288	PANEL, WALL, OUTER, 180, PLAT, 35X48 <i>(Only for 48" platform)</i>
	15160	SHEET, WALL, OUTER, 180, PLAT, 35X54 <i>(Only for 54" platform)</i>
No Bubble	10782	EXTRUSION, STRP, PNL, RIGID, 16GA, GREY <i>(For 48" &amp; 54" platform)</i>
No Bubble	10770	BRACKET, CORNER, STRUCTURAL, SLIDING <i>(For 48" &amp; 54" platform)</i>
No Bubble	09407	SCREW, M6X14, CSUNK, SS, A2 <i>(For 48" &amp; 54" platform)</i>
No Bubble	11714	RIVENUT, M5, 0-2.0, BLIND, SS <i>(For 48" &amp; 54" platform)</i>
No Bubble	09987	SCREW, M5X16, BUTTON/SOCHD, SS <i>(For 48" &amp; 54" platform)</i>
No Bubble	06485	WASHER, M5, FLAT, SS, A2 <i>(For 48" &amp; 54" platform)</i>
No Bubble	06484	WASHER, M5, LOCK, SS, A2 <i>(For 48" &amp; 54" platform)</i>
No Bubble	03369	GROMMET, 0.625" X 0.25" X 0.25" <i>(For 48" &amp; 54" platform)</i>

### Complete Assembly

Part #	Description
14246	ASSY, WALL, OUTER, 180, PLATFORM, 35X48, OPAL
15088	ASSY, WALL, OUTER, 180, PLATFORM, 35X54, OPAL



### ***Limit Sensing Switch Assembly OPAL***

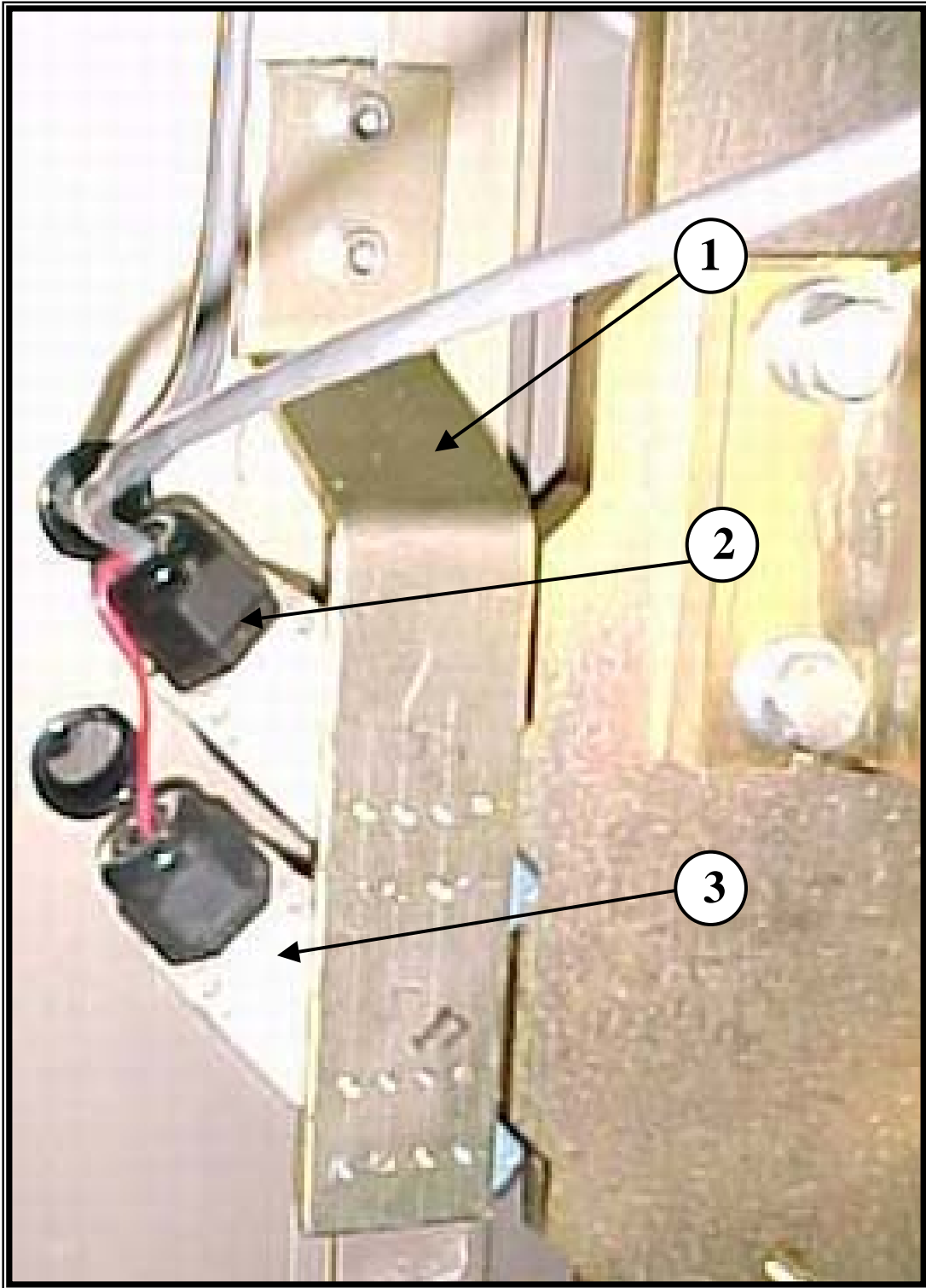
## Limit Sensing Switch Assembly OPAL

**Page 1**

Bubble No ( )	Part Number	Description	Qty
(1)	14283	HANGER,PLATE,SENSING,OPAL	1
(2)	10677	SWITCH,SAFETY,LEVER,VL,OPAL,G1	1
(3)	03804	SCREW,M4X25,CHEESEHD,PHILLIPS	2
(4)	10521	SCREW,M6X50,SOCHD,CSUNK,SS,A2	1
(5)	14925	NUT,SQUARE,M6,PLT	1
(6)	15099	SCREW,M4X30,PANHD,PHIL,PLT	1
(7)	03824	SCREW,M6X12,BUTTONHD,A2	2
(8)	01365	WASHER,M4,LOCK,PLT	2
(9)	14278	PLATE,MOUNTING,SENSING,LIMIT/SW,OPAL	1
(10)	10332	PLUG,POLYMERIC	1
No Bubble	06608	WIRE,20AWG,TEW,WHT	1 Mtr

### Complete Assembly

Part #	Description
14245	ASSY,SENSING,SWITCH,LIMIT,OPAL



**Lower Limit Switch Assembly OPAL**

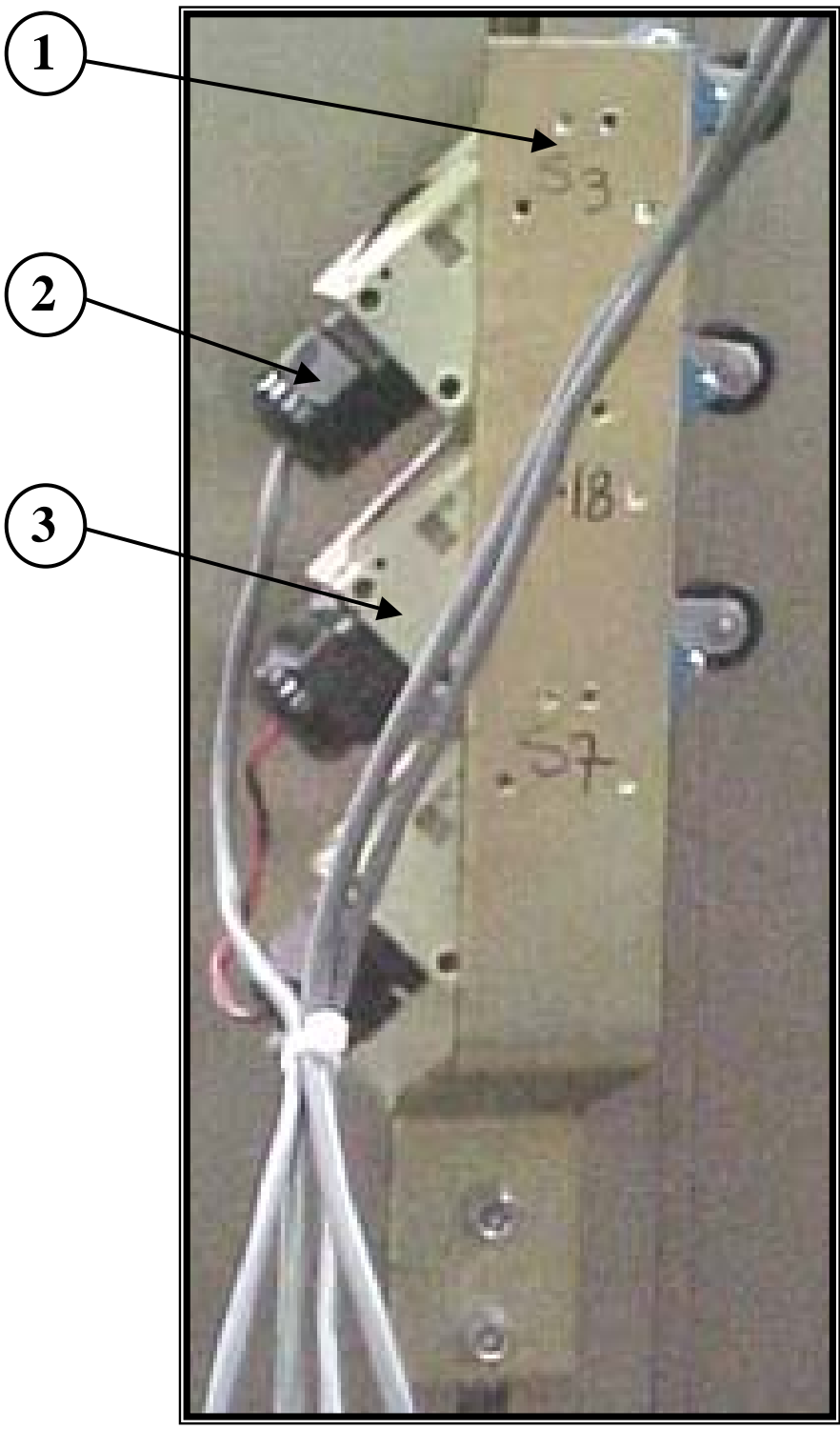
## Lower Limit Switch Assembly OPAL

**Page 1**

Bubble No ( )	Part Number	Description	Qty
(1)	14422	BRACKET,SWITCH,LIMIT,UPPER,OPAL	1
(2)	10332	PLUG,POLYMERIC	2
(3)	10677	SWITCH,SAFETY,LEVER,VL,OPAL,G1	2
No Bubble	09937	CABLE,20AWG,4CONDUCTOR,FT4	4 Mtrs
No Bubble	10639	RETAINER,BRACKET,SWITCH,LIMIT	1
No Bubble	10317	SCREW,M6X20,SOCHD,SS	2
No Bubble	15099	SCREW,M4X30,PANHD,PHIL,PLT	4
No Bubble	01364	WASHER,M6,LOCK,PLT	2
No Bubble	01365	WASHER,M4,LOCK,PLT	4

### Complete Assembly

Part #	Description
14571	ASSY,SWITCH,LIMIT,LOWER,HYDRO/SCREW,OPAL



**Upper Limit Switch Assembly OPAL**

## *Upper Limit Switch Assembly OPAL*

**Page 1**

Bubble No ( )	Part Number	Description	Qty
(1)	14422	BRACKET,SWITCH,LIMIT,UPPER,OPAL	1
(2)	10332	PLUG,POLYMERIC	3
(3)	10677	SWITCH,SAFETY,LEVER,VL,OPAL,G1	3
No Bubble	09937	CABLE,20AWG,4CONDUCTOR,FT4	1.5Mtrs
No Bubble	09305	CABLE,20AWG,2CONDUCTOR,WHT/BLK	1.5Mtrs
No Bubble	10639	RETAINER,BRACKET,SWITCH,LIMIT	1
No Bubble	10317	SCREW,M6X20,SOCHD,SS	2
No Bubble	15099	SCREW,M4X30,PANHD,PHIL,PLT	6
No Bubble	01364	WASHER,M6,LOCK,PLT	2
No Bubble	01365	WASHER,M4,LOCK,PLT	6

### **Complete Assembly**

Part #	Description
14570	ASSY,SWITCH,LIMIT,UPPER,SCREW,OPAL

**UPPER LIMIT SWITCH ASSEMBLY**

## **Lead Screw Control Box Assembly OPAL**

### **Page 1**

<b>Bubble No ( )</b>	<b>Part Number</b>	<b>Description</b>	<b>Qty</b>
No Bubble	14414	BOX,CONTROL,12"X12"X6",STL,OPAL	1
No Bubble	15138	ASSY,BOARD,PCB,SCREW,OPAL	1
No Bubble	07926	SCREW,M4X8,PANHD,PHILLIPS,SS,A2	4
No Bubble	03905	CONNECTOR,RING,5MM,TONGUE,16-14AWG,BLU	1
No Bubble	08095	WIRE,14AWG,200MM,TEW,GRN	1
No Bubble	04268	FUSE,25AMP,125V	1
No Bubble	15137	FUSE,1AMP,250V,MINIATURE,FASTACTING	2
No Bubble	15136	FUSE,100MA,250V,MINIATURE,FASTACTING	1
No Bubble	02225	WIRE,14AWG,TEW,GRN	1
No Bubble	06465	WIRE,20AWG,TEW,WHT/GRN,OBS*	4
No Bubble	06461	WASHER,M5,FLAT,SS,A4	4
No Bubble	10830	FITTING,CABLE,LIQUIDTIGHT	1
No Bubble	15159	CONNECTOR,MASCON,OPAL	2
	15100	LABEL,RATING,FUSE,OPAL	1

### **Complete Assembly**

<b>Part #</b>	<b>Description</b>
14508	ASSY,CONTROLBOX,PCB,LEADSCREW,OPAL

**List Of Labels OPAL**

**Page 1**

<b>Part Number</b>	<b>Description</b>
14995	LABEL,OPERATION,CAR,INSIDE,KEYED,OPAL
14992	LABEL,OPERATION,KEYLESS,CAR,INSIDE,OPAL
14993	LABEL,OPERATION,KEYED,CALLSTATION,OPAL
14994	LABEL,OPERATION,KEYLESS,CALLSTN,OPAL
14996	LABEL,SERIAL,OPAL

LIST OF LABELS

**REVISION HISTORY (OPAL PARTS MANUAL)****Page 1**

<b>Revision #</b>	<b>Date</b>	<b>Notes</b>
<b>A</b>	<b>05/29/02</b>	<b>(Initial Release)</b>
<b>B</b>	<b>11/30/02</b>	<b>(Update )</b>