

S T A I R - L I F T


GARAVENTA

ACCESSIBILITY

**PARTS
MANUAL**

XPRESS II MODEL

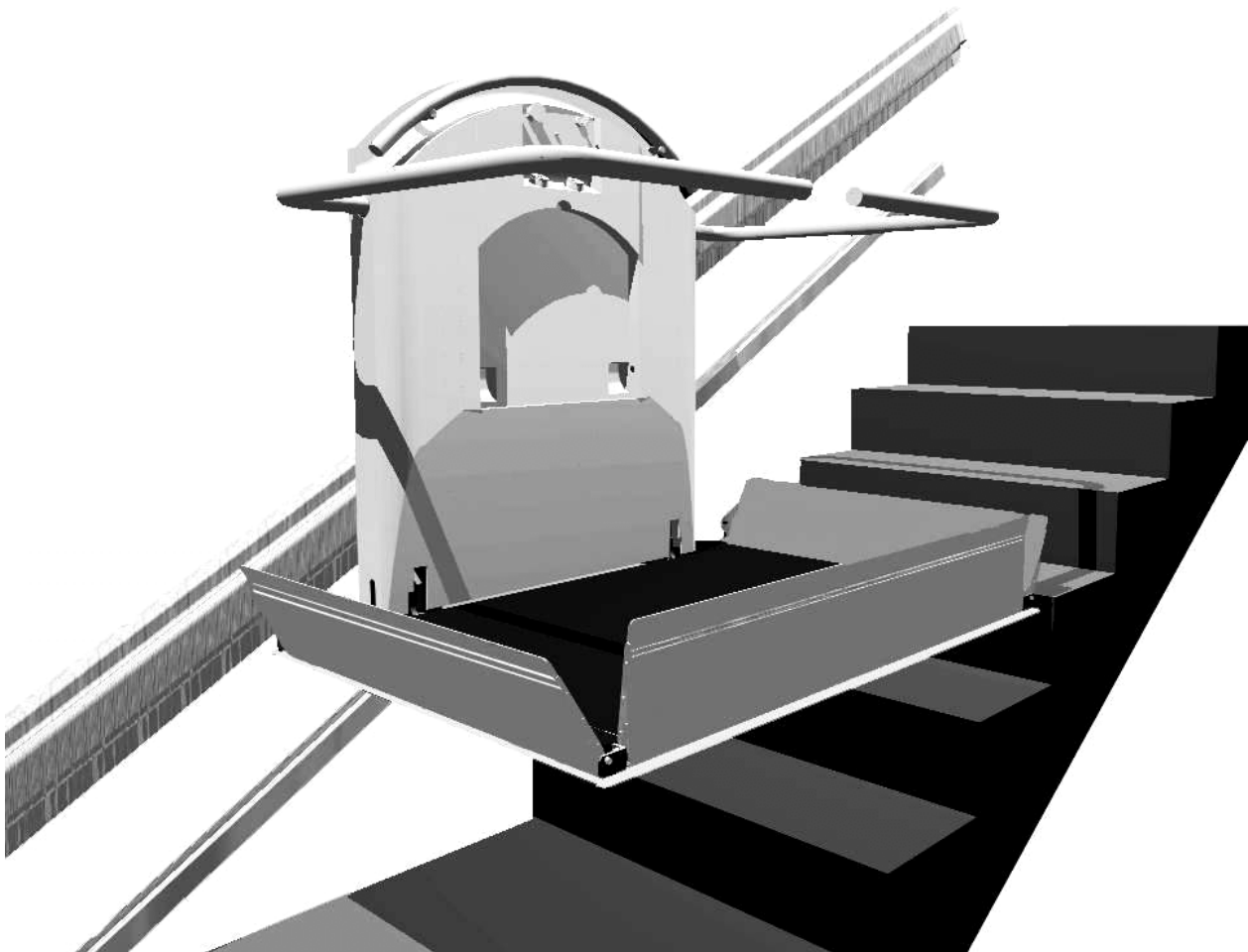
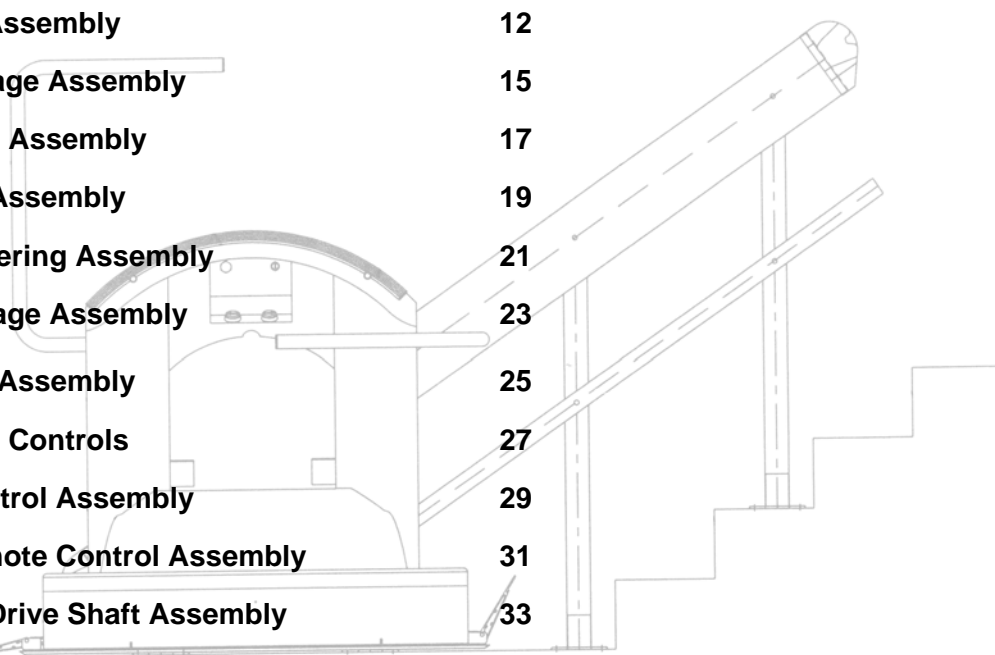


Table of Contents

Introduction

| <i>Description</i> | <i>Page Number</i> |
|--|---------------------------|
| Hanger Assembly | 5 |
| Platform Assembly | 8 |
| Upper Rail Assembly | 12 |
| Upper Carriage Assembly | 15 |
| Limit Switch Assembly | 17 |
| Overspeed Assembly | 19 |
| Manual Lowering Assembly | 21 |
| Lower Carriage Assembly | 23 |
| Call Station Assembly | 25 |
| Conveyance Controls | 27 |
| Remote Control Assembly | 29 |
| Service Remote Control Assembly | 31 |
| Crank Arm Drive Shaft Assembly | 33 |
| Ramp Cable Assembly | 35 |
| Platform Actuating Pushrod Assembly | 37 |
| Platform Actuation Assembly | 39 |
| Actuation Motor Assembly | 41 |
| Side Load | 43 |
| | |
| List Of Kits | 45 |



Garaventa– the world’s #1 choice in accessibility solutions.

Garaventa has been dedicated to developing safe and reliable accessibility solutions since 1978, and is now an industry leader worldwide. Years of hard work and an uncompromising commitment to quality have enabled us to perfect our internationally renowned products. In 1999 Garaventa introduced the Xpress II, the next generation inclined platform lift for straight stairways.

This manual has been prepared to help you install, maintain and service the Garaventa Xpress II Stair Lift. The information in this manual is intended to be used in conjunction with ongoing Factory Training Seminars to help you reliably install and service Garaventa products quickly and confidently and ultimately increasing the level of your customers’ satisfaction.

Keep this manual in a safe place and ensure that you always have it on-hand when installing, maintaining or servicing the Garaventa Xpress II.

Note that because we are always continuing to develop and improve our products, the information in the manual will have to be updated on occasion. If you are in doubt of any information in this manual, contact Garaventa Customer Service.

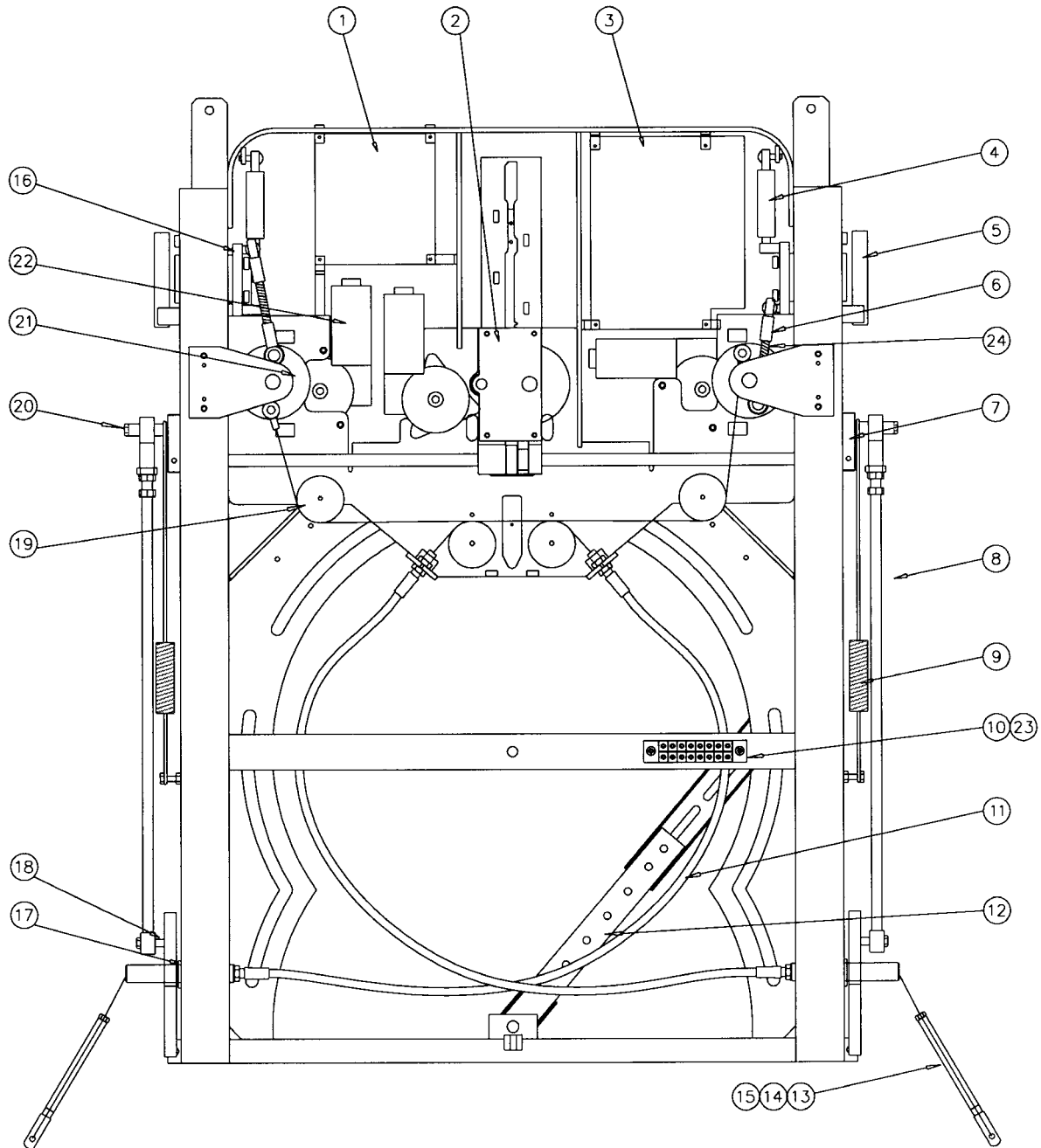
Please read this manual entirely before beginning installation, maintenance or service of any Garaventa Genesis Vertical lift. While we strive for the greatest accuracy possible, errors and omissions may occur. If you are in doubt of any information in this manual, please contact Garaventa Customer Service.

**Read this manual entirely before beginning the installation, maintenance
Or service of any Garaventa Xpress II Stair Lift**



©2000 Garaventa (Canada) Ltd. As we are continuously improving our products, specifications outlined in this manual are subject to change without notice.

Note: The drawings used in this manual may not be exact and are for reference purpose only.



Hanger Assembly Xpress II Type 2

Hanger Assembly Xpress II Type 2

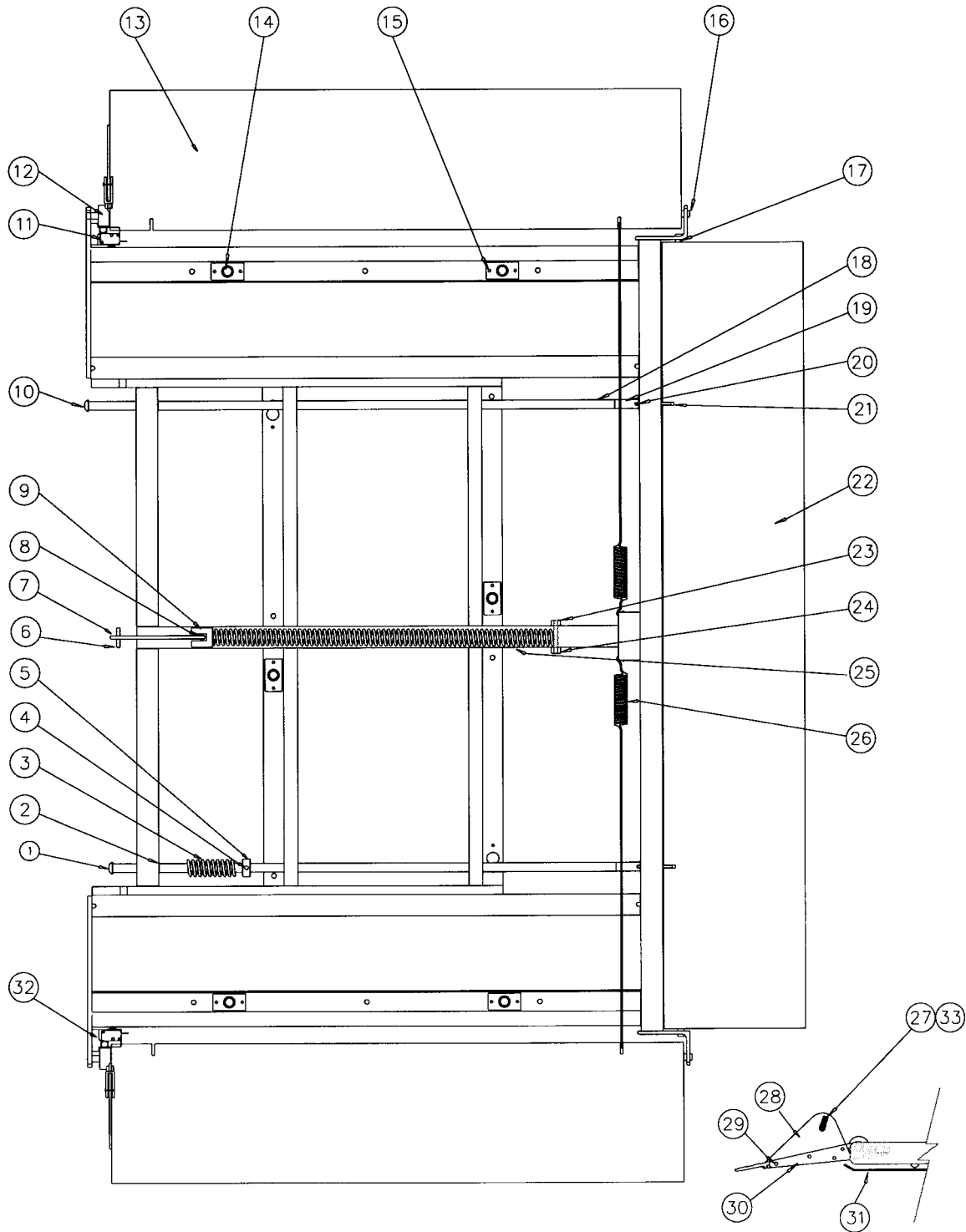
Page 1

| Bubble No () | Part Number | Description |
|--------------------------|------------------------|--|
| (1) | 13004 | ASSY,BOARD,PC,POWER,XPRESSII,TYPE2 |
| (2) | 10406 | ASSY,ACTUATION,PLATFORM,XPRESSII (Note: See page # 39 & 40 of this manual for detailed view) |
| (3) | 13005 | ASSY,BOARD,PC,CONTROL,XPRESSII,TYPE2 |
| (4) | 10088 | GASSPRING,250N |
| (5) | 10066 | SHAFT,DRIVE,ARM,XII |
| (6) | 11862 | ROD,END,FEMALE,0.3125"-24 |
| (7) | 09928 | ASSY,SHAFT,DRIVE,ARM,CRANK (Note: See page # 33 & 34 of this manual for detailed view) |
| (8) | 11852 | ASSY,PUSHROD,ACTUATING,PLATFORM, XPRESSII (Note: See page # 37 & 38 of this manual for detailed view) |
| (9) | 09927 | SPRING,ARM,CRANK,SS |
| (10) | 04112 | STRIP,TERMINAL,ID,7,RH |
| (11) | 11645 | ASSY,CABLE,RAMP,XPRESSII (Note: See page # 35 & 36 of this manual for detailed view) |
| (12) | 10133 | ASSY,CARRIAGE,LOWER,XPRESSII (Note: See page # 23 & 24 of this manual for detailed view) |
| (13) | 09913 | CLEVIS,FORK,JOINT,W/PIN,MODIFIED |
| (14) | 09929 | EXTENSION,ROD,CABLE,1220 |
| (15) | 06405 | NUT,M6,SS,A2 |
| (16) | 10067 | FLANGE,DRIVE,ARM |
| (17) | 10009 | PLATE,PIVOT,PLATFORM |
| (18) | 10174 | BEARING,OILITE,SF-2428-24 |
| (19) | 10074 | PULLEY,2" |

Hanger Assembly Xpress II Type 2

Page 2

| Bubble No () | Part Number | Description |
|--------------------------|------------------------|--|
| (20) | 07805 | SCREW,M8X25,SOCHD,FULLTHREAD,SS,A2 |
| (21) | 10582 | PIN,PIVOT,1.378"LG,GENESIS |
| (22) | 10493 | ASSY,MOTOR,ACTUATION,XPRESSII (Note: See page # 41 & 42 of this manual for detailed view) |
| (23) | 04054 | TERMINAL,BLOCK |
| (24) | 10068 | ROD,CONNECTING,ARM |



Platform Assembly Xpress II Type 2

Platform Assembly Xpress II Type 2

Page 1

| Bubble No () | Part Number | Description |
|------------------|----------------|---|
| (1) | 12870 | SCREW,M10x35,HEX/SOCKETHD,CSUNK,SS |
| (2) | 01379 | WASHER,M12,FLAT,PLT |
| (3) | 10141 | SPRING,COMPRESSION,KICKPLATE |
| (4) | 10385 | SCREW,M5X6,SET,CUP,SS |
| (5) | 10401 | COLLAR,SHAFT,0.5"IDX1"OD |
| (6) | 11538 | PIN,SPRING,0.25"X0.75",SS |
| (7) | 10051 | LINKAGE,SPRING,CONTERBALANCE |
| (8) | 10390 | PIN,DOWEL,0.25"X1",SS |
| (9) | 10050 | CLEVIS,SPRING,COUNTERBALANCE |
| (10) | 03760 | SCREW,M10X25,SOC/BUTTONHD,SS,A2 |
| (11) | 09091 | SWITCH,SAFETY,DISPL,POS,C/A |
| (12) | 10045 | CAM,RAMP |
| (13) | 10025 | RAMP,PLATFORM,EXTRUSION |
| (14) | 04952 | SWITCH,CONTACTOR |
| (15) | 06258 | SCREW,8X0.375,TAP,TRUSSHD,PHIL |
| (16) | 10231 | ROD,PIVOT,OUTSIDE |
| (17) | 10230 | ROD,PIVOT,KICK,THREADED |
| | | ***** <u>For Side Load Option</u> ***** |
| | 09909 | ROD,PIVOT,KICKPLATE,SIDELOAD |
| (18) | 10022 | ROD,PUSH,KICKPLATE |
| (19) | 10043 | CLEVIS,PUSHROD,THREADED |
| (20) | 04449 | PIN,DOWEL,M4X14 |
| (21) | 10044 | LINK,KICKPLATE |

Platform Assembly Xpress II Type 2

Page 2

| Bubble No () | Part Number | Description |
|------------------|----------------|--|
| (22) | 10216 | KICKPLATE,PLATFORM,1220,EXTRUSION ***** <u>For Side Load Option (1220 Platform)</u> ***** |
| | 09896 | KICKPLATE,PLATFORM,SIDELOAD,1220,XPRESSII ***** <u>For 1000 Platform</u> ***** |
| | 10215 | KICKPLATE,PLATFORM,1000,EXTRUSION ***** <u>For Side Load Option (1000 Platform)</u> ***** |
| | 09895 | KICKPLATE,SIDELOAD,PLATFORM,1000 |
| (23) | 02789 | NUT,M8,NYLOC,PLT |
| (24) | 07080 | SCREW,M8X50,SOCHD,PLT |
| (25) | 10301 | SPRING,COMPRESSION,COUNTERBALANCE,1220 ***** <u>For 1000 Platform</u> ***** |
| | 10359 | SPRING,COMPRESSION,COUNTERBALANCE,1000 |
| (26) | 09986 | SPRING,EXTENSION,RAMP,B,1220 ***** <u>For 1000 Platform</u> ***** |
| | 10006 | SPRING,EXTENSION,RAMP,1000 |
| (27) | 10383 | SPRING,BRACKET,RAMP,SS |
| (28) | 10047 | BRACKET,RAMP,CABLE |
| (29) | 10410 | SCREW,10X0.5"RNDHEAD,UDRIVE,SS,A2 |
| (30) | 10308 | PLATE,SIDE,RAMP/KICK,STD |
| (31) | 10012 | PLATE,SENSING,1220,XPRESSII ***** <u>For 1000 Platform</u> ***** |
| | 10011 | PLATE,SENSING,1000 |
| (32) | 11894 | ASSY,SWITCH,SAFETY,XPRESSII |

Platform Assembly Xpress II Type 2

Page 3

| Bubble No () | Part Number | Description |
|--------------------------|------------------------|----------------------|
| (33) | 10297 | BUSHING,BRACKET,RAMP |

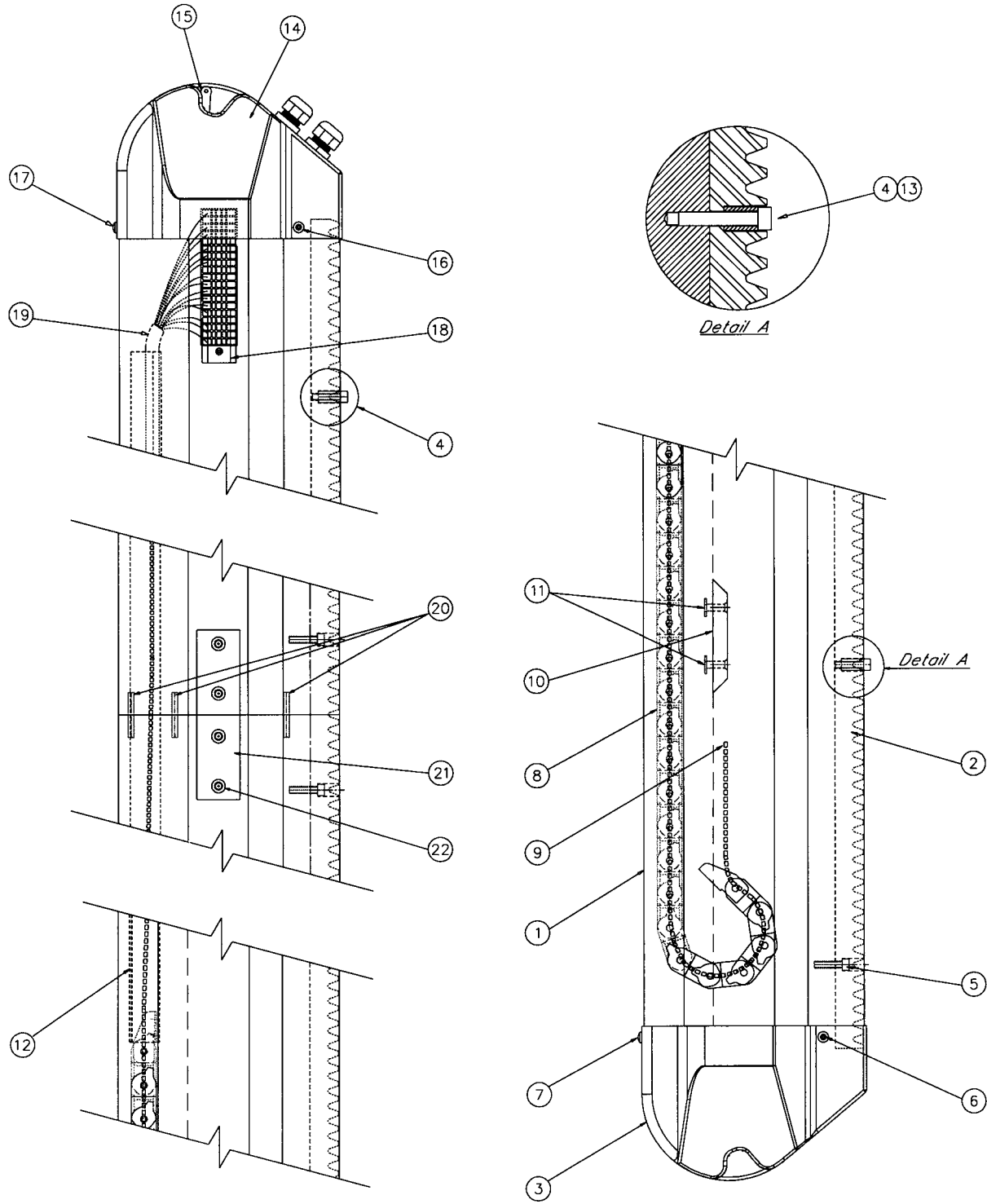
Complete Assembly

1220 Platform

| Part No. | Description |
|-----------------|--|
| 10164 | ASSY,PLATFORM,1220,XPRESSII |
| 13106 | ASSY,PLAT,SIDELD,1220,LH,MNT,XII,TYPE2 |
| 13108 | ASSY,PLAT,SIDELD,1220,RH,MNT,XII,TYPE2 |

1000 Platform

| Part No. | Description |
|-----------------|--|
| 10165 | ASSY,PLATFORM,1000,XPRESSII |
| 13105 | ASSY,PLAT,SIDELD,1000,LH,MNT,XII,TYPE2 |
| 13107 | ASSY,PLAT,SIDELD,1000,RH,MNT,XII,TYPE2 |



Upper Rail Assembly Xpress II Type 2

Upper Rail Assembly Xpress II Type 2

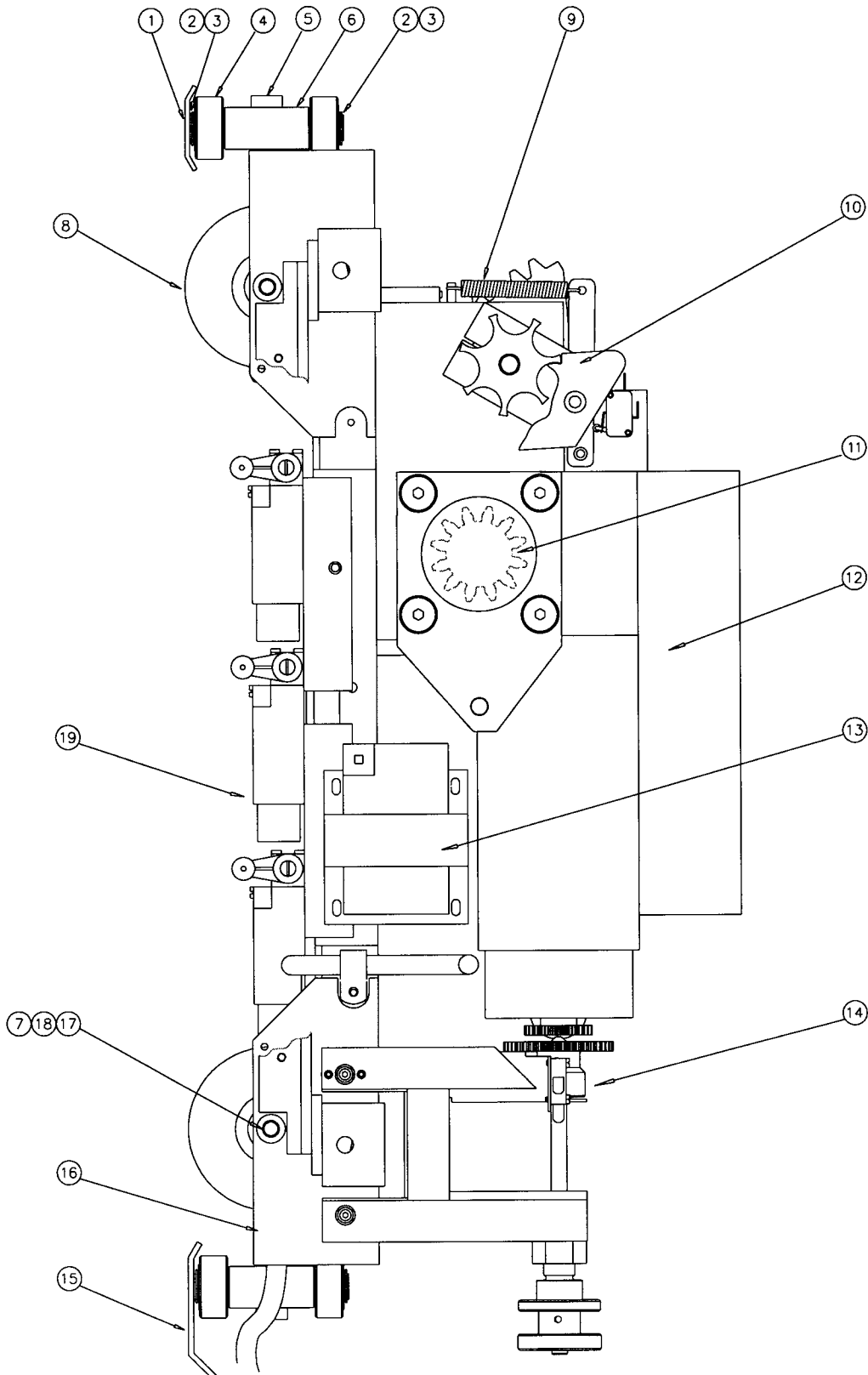
Page 1

| Bubble No () | Part Number | Description |
|---------------|-------------|--|
| (1) | 10136 | EXTRUSION,RAIL,UPPER |
| (2) | 10180 | RACK,RAIL,UPPER |
| (3) | 10343 | CAP,END,RAIL,LH ***** <u>Option</u> ***** |
| | 10344 | CAP,END,RAIL,RH |
| (4) | 10253 | SPACER,LIMIT,FINAL,MACHANICAL |
| (5) | 10317 | SCREW,M6X20,SOCHD,SS |
| (6) | 10367 | SCREW,M4.8X9.5,TAP,PANHD,PHILLIPS,SS |
| (7) | 10367 | SCREW,M4.8X9.5,TAP,PANHD,PHILLIPS,SS |
| (8) | 10107 | CABLECHAIN |
| (9) | 10105 | CABLE,TRAVELING,17,CONDUCTOR |
| (10) | 10028 | BLOCK,LANDING,UPPER |
| (11) | 10252 | NUT,10-24,WELD,TAB,DOUBLE,SS |
| (12) | 10356 | CONDUIT,RACEWAY,SOLIDWALL,TYPES |
| (13) | 10318 | SCREW,M6X35,SOCHD,SS,A2 |
| (14) | 10343 | CAP,END,RAIL,LH ***** <u>Option</u> ***** |
| | 10344 | CAP,END,RAIL,RH |
| (15) | 10154 | SWITCH,MAIN |
| (16) | 10367 | SCREW,M4.8X9.5,TAP,PANHD,PHILLIPS,SS |
| (17) | 10367 | SCREW,M4.8X9.5,TAP,PANHD,PHILLIPS,SS |
| (18) | 10470 | ASSY,STRIP,TERMINAL,MAIN,XPRESSII |
| (19) | 10105 | CABLE,TRAVELING,17,CONDUCTOR |

Upper Rail Assembly Xpress II Type 2

Page 2

| Bubble No () | Part Number | Description |
|--------------------------|------------------------|----------------------------------|
| (20) | 10481 | PIN,SLOTTED,5X40,SS |
| (21) | 10077 | PLATE,SPLICE,RAIL,UPPER |
| (22) | 06457 | SCREW,M6X12,PANHD,PHILLIPS,SS,A2 |



Upper Carriage Assembly Xpress II Type 2

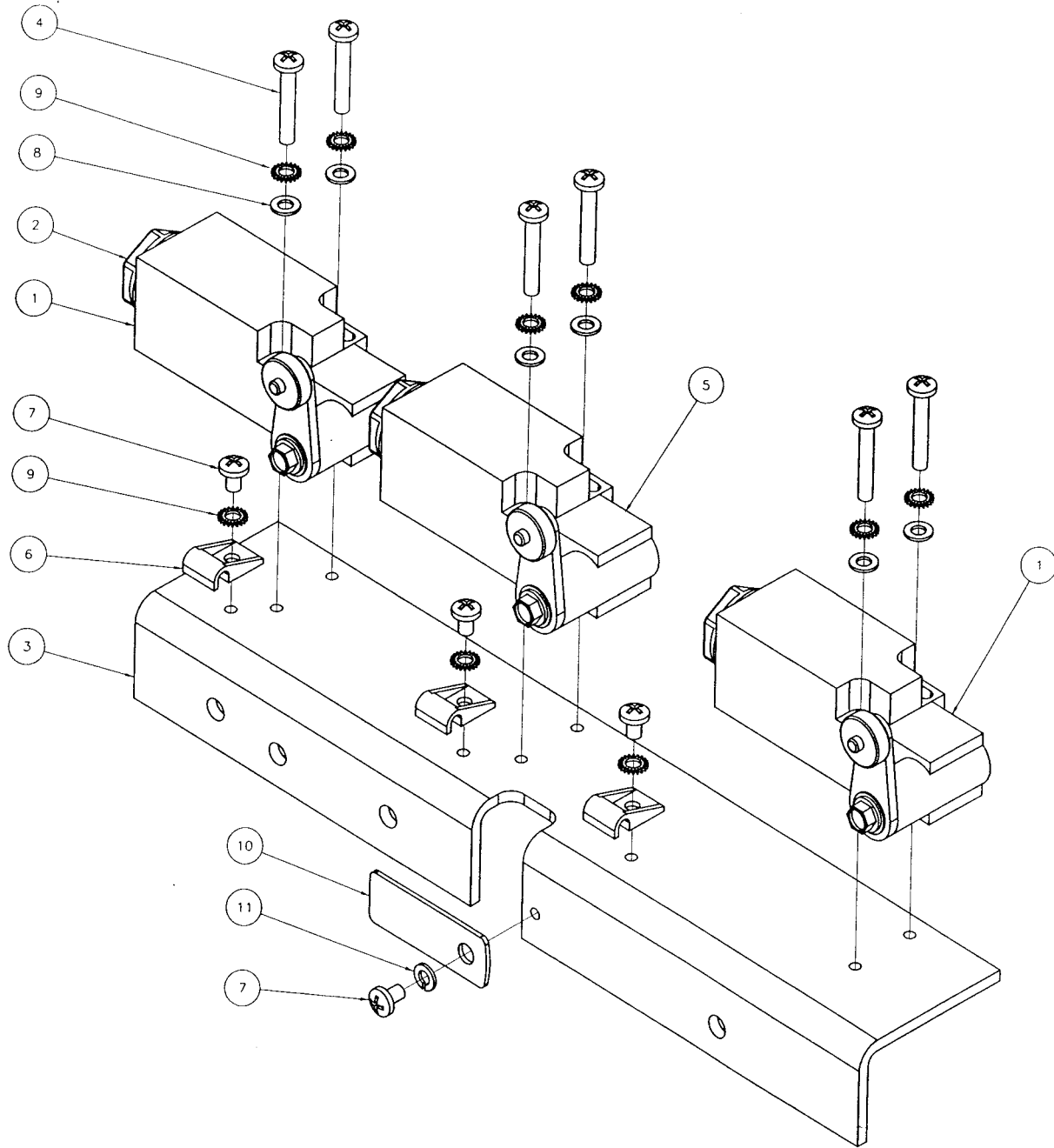
Upper Carriage Assembly Xpress II Type 2

Page 1

| Bubble No () | Part Number | Description |
|--------------------------|------------------------|---|
| (1) | 10309 | BRACKET,GUIDE,CHAIN,CABLE |
| (2) | 10327 | RING,0.625",RETAINING |
| (3) | 10324 | PLUG,1.25"POLYETHYLENE,BLACK |
| (4) | 10016 | ROLLER,SIDE,CARRIAGE,UPPER |
| (5) | 10331 | SCREW,0.5"X1"X0.375,SHOULDER,SOCHD |
| (6) | 10002 | AXLE,ROLLER,SIDE,CARRIAGE,UPPER |
| (7) | 10337 | SCREW,M10X40,SOCHD,SS |
| (8) | 10029 | ROLLER,VERTICAL,CARRIAGE,UPPER |
| (9) | 10351 | SPRING,EXTENSION,OVERSPEED,SS |
| (10) | 10114 | ASSY,OVERSPEED,XPRESSII (Note: See page # 19 & 20 of this manual for detailed view) |
| (11) | 10113 | PINION,2",GEARBOX |
| (12) | 10087 | MOTOR,WORMGEAR,0.55KW,230/400V,50HZ |
| (13) | 09967 | TRANSFORMER,208/24V,CLASS2 |
| (14) | 09970 | ASSY,BRACKET,LOWERING,MANUAL (Note: See page # 21 & 22 of this manual for detailed view) |
| (15) | 10015 | BRACKET,SUPPORT,CABLE,TRAVELING |
| (16) | 12883 | PLATE,MAIN,CARRIAGE,UPPER |
| (17) | 10026 | SPACER,ROLLER,VERTICAL,CARRIAGE,UPPER |
| (18) | 10027 | BUSHING,VERTICAL,CARRIAGE,UPPER |
| (19) | 10407 | ASSY,SWITCHES,LIMIT (Note: See page # 17 & 18 of this manual for detailed view) |

Complete Assembly

| Part No. | Description |
|-----------------|------------------------|
| 10160 | ASSY,CARRIAGE,XPRESSII |



Limit Switch

Limit Switch Assembly Xpress II Type 2

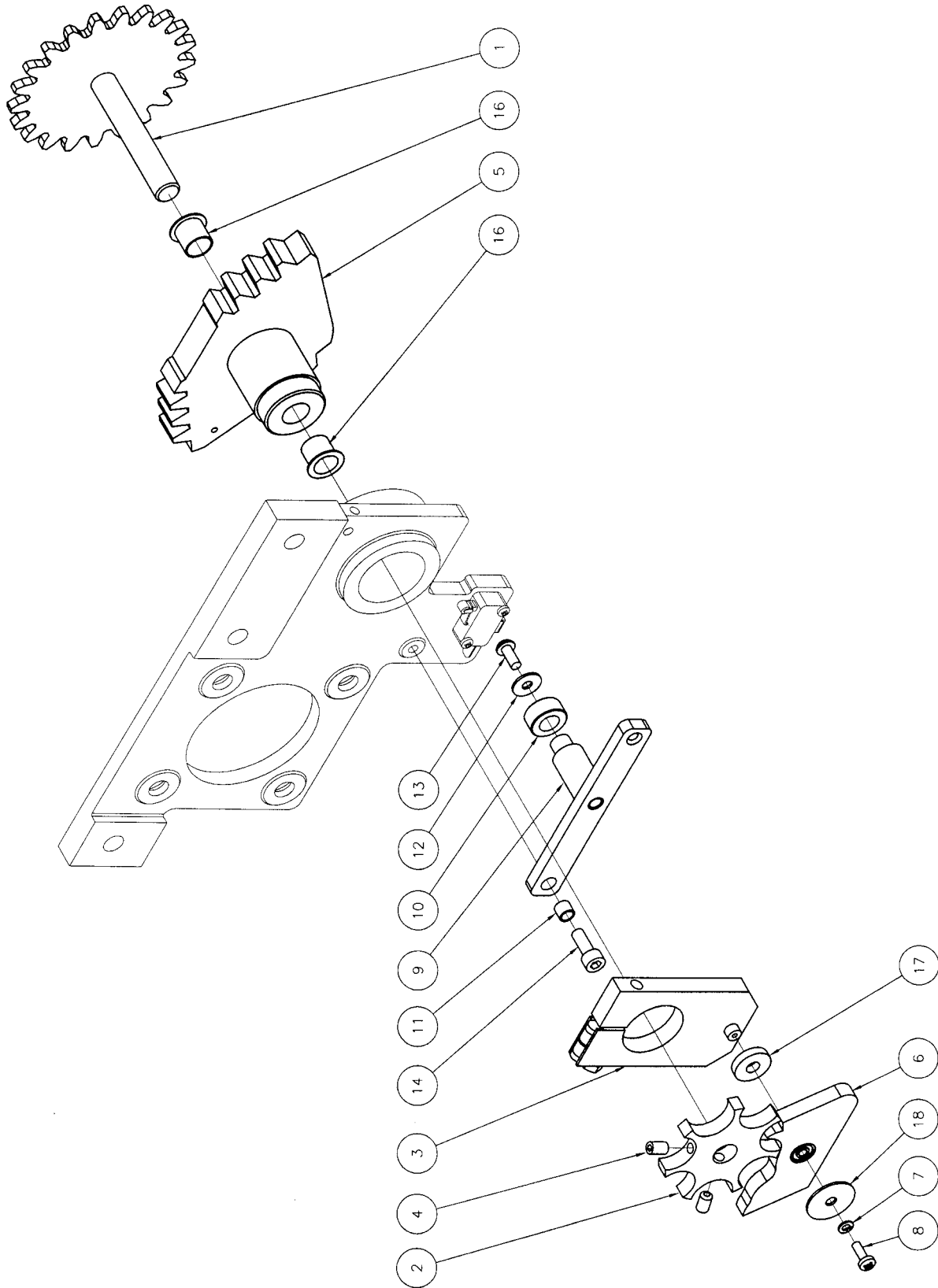
Limit Switch Assembly Xpress II Type 2

Page 1

| Bubble No () | Part Number | Description |
|--------------------------|------------------------|---|
| (1) | 10150 | SWITCH, LANDING |
| (2) | 10332 | PLUG, POLYMERIC |
| (3) | 10000 | ASSY, BRACKET, MOUNTING, SWITCH, CARRIAGE |
| (4) | 03804 | SCREW, M4X25, CHEESEHD, PHILLIPS |
| (5) | 10348 | SWITCH, LIMIT, FINAL |
| (6) | 03877 | CLIP, 0.1875", NYLON |
| (7) | 06327 | SCREW, M4X10, PANHD, PHILLIPS, SS, A2 |
| (8) | 06319 | WASHER, M4, FLAT, SS, A2 |
| (9) | 07403 | WASHER, M4, LOCK, SS, EXT/TOOTH |
| (10) | 10368 | STRAP, 0.375", CONDUIT, 1HOLE |
| (11) | 07806 | WASHER, M4, LOCK, SS, A2 |

Complete Assembly

| Part No. | Description |
|-----------------|-----------------------|
| 10407 | ASSY, SWITCHES, LIMIT |



Overspeed Assembly Xpress II Type 2

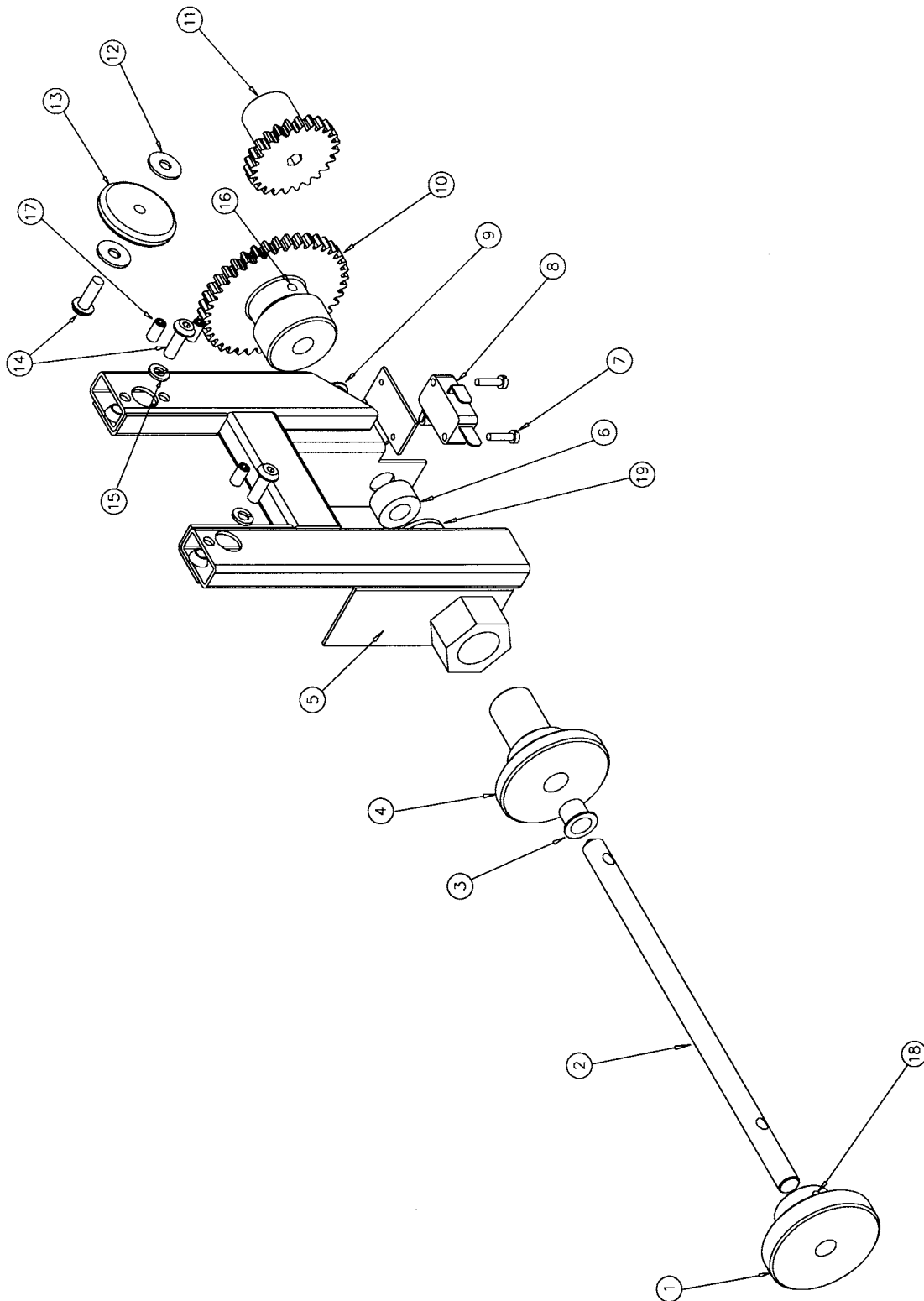
Overspeed Assembly Xpress II Type 2

Page 1

| Bubble No () | Part Number | Description |
|--------------------------|------------------------|--------------------------------------|
| (1) | 10156 | ASSY,GEAR,DRIVER,OVERSPEED |
| (2) | 10138 | WHEEL,OVERSPEED |
| (3) | 10157 | ASSY,BRACKET,ACTUATOR |
| (4) | 07402 | SCREW,M5X10,SET,CUP |
| (5) | 10121 | ASSY,WELDMENT,GEAR,LOCKING,OVERSPEED |
| (6) | 10151 | ASSY,PAWL,OVERSPEED |
| (7) | 07806 | WASHER,M4,LOCK,SS,A2 |
| (8) | 06327 | SCREW,M4X10,PANHD,PHILLIPS,SS,A2 |
| (9) | 10124 | ASSY,BRACKET,DETENT |
| (10) | 10127 | ROLLER,DETENT |
| (11) | 10179 | BEARING,BRASS,DETENT |
| (12) | 04029 | WASHER,5X15,FLAT,FENDER |
| (13) | 07332 | SCREW,M5X12,SOC/BUTTONHD,SS,A2 |
| (14) | 01411 | SCREW,M6X16,SOCHD,PLT |
| (16) | 10177 | BEARING,NYLINER,8L8F |
| (17) | 12049 | SPACER,PAWL,OVERSPEED, |
| (18) | 10426 | WASHER,REPAIR,MUDWING,M5X25 |

Complete Assembly

| Part No. | Description |
|-----------------|-------------------------|
| 10114 | ASSY,OVERSPEED,XPRESSII |



Manual Lowering Assembly Xpress II Type 2

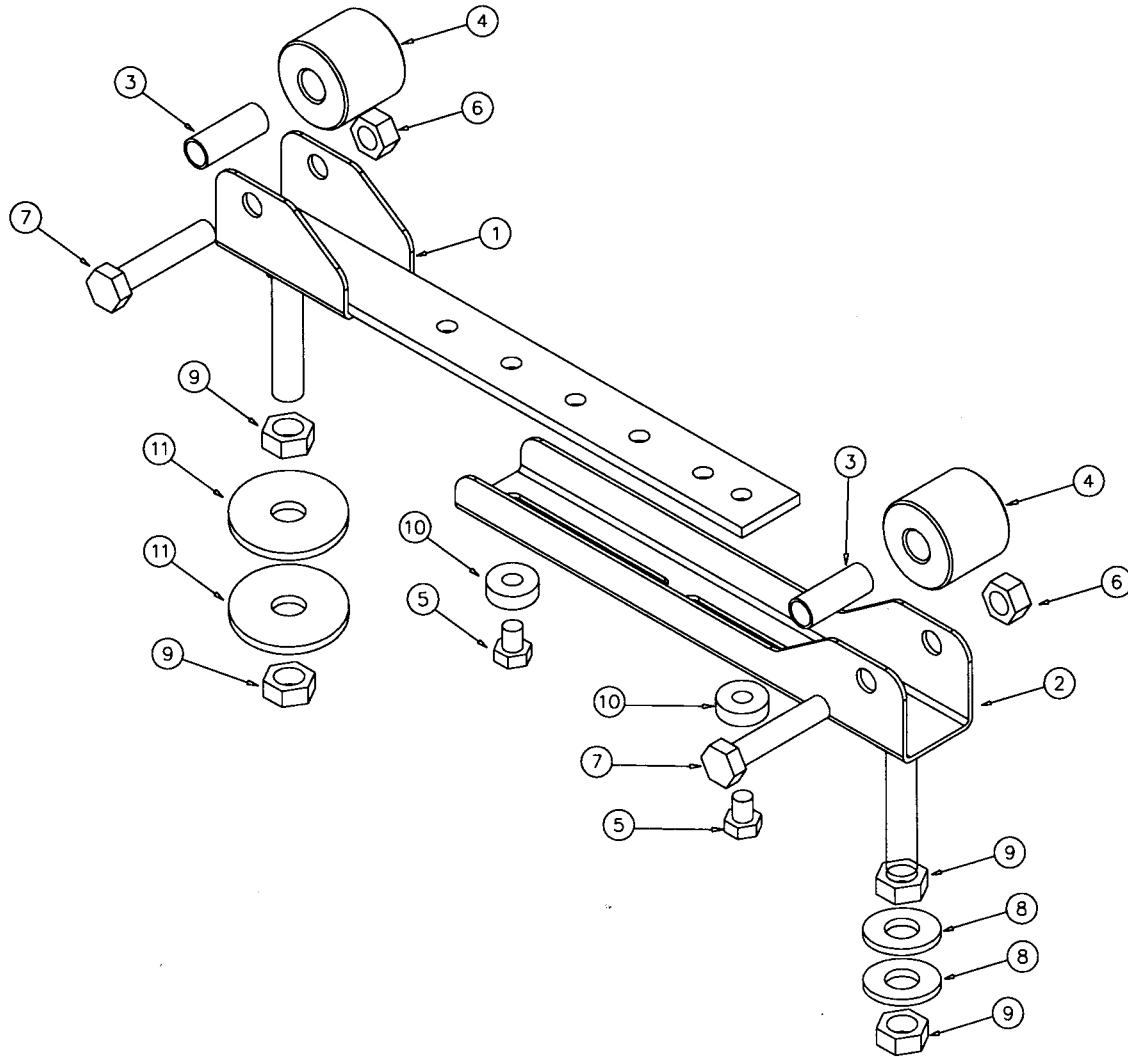
Manual Lowering Assembly Xpress II Type 2

Page 1

| Bubble No () | Part Number | Description |
|--------------------------|------------------------|---------------------------------------|
| (1) | 09976 | WHEEL,HAND,DRIVE,MODIFIED,LWRG,MANUAL |
| (2) | 09978 | SHAFT,DRIVE,LOWERING,MANUAL |
| (3) | 09995 | BEARING,NYLINER,6L6-F |
| (4) | 09975 | WHEEL,HAND,ENGAGEMENT,LOWERING,MANUAL |
| (5) | 09972 | ASSY,WELD,BRACKET,LOWERING,MANUAL |
| (6) | 09997 | COLLAR,SHAFT,0.375"IDX0.75"OD |
| (7) | 10435 | SCREW,M3X16,CHEESEHD,PHILLIPS,SS,A2 |
| (8) | 09091 | SWITCH,SAFETY,DISPL,POS,C/A |
| (9) | 09996 | BEARING,NYLINER,6L1-FF |
| (10) | 09974 | GEAR,40TEETH,DRIVE,LOWERING,MANUAL |
| (11) | 09973 | GEAR,24TEETH,DRIVE,LOWERING,MANUAL |
| (12) | 04029 | WASHER,5X15,FLAT,FENDER |
| (13) | 11509 | ROLLER,LOWERING,MANUAL |
| (14) | 01413 | SCREW,M5X12,SOCHD,PLT |
| (15) | 06484 | WASHER,M5,LOCK,SS,A2 |
| (16) | 10385 | SCREW,M5X6,SET,CUP,SS |
| (17) | 07402 | SCREW,M5X10,SET,CUP |
| (18) | 10385 | SCREW,M5X6,SET,CUP,SS |
| (19) | 09996 | BEARING,NYLINER,6L1-FF |

Complete Assembly

| Part No. | Description |
|-----------------|------------------------------|
| 09970 | ASSY,BRACKET,LOWERING,MANUAL |



Lower Carriage

Lower Carriage Assembly Xpress II Type 2

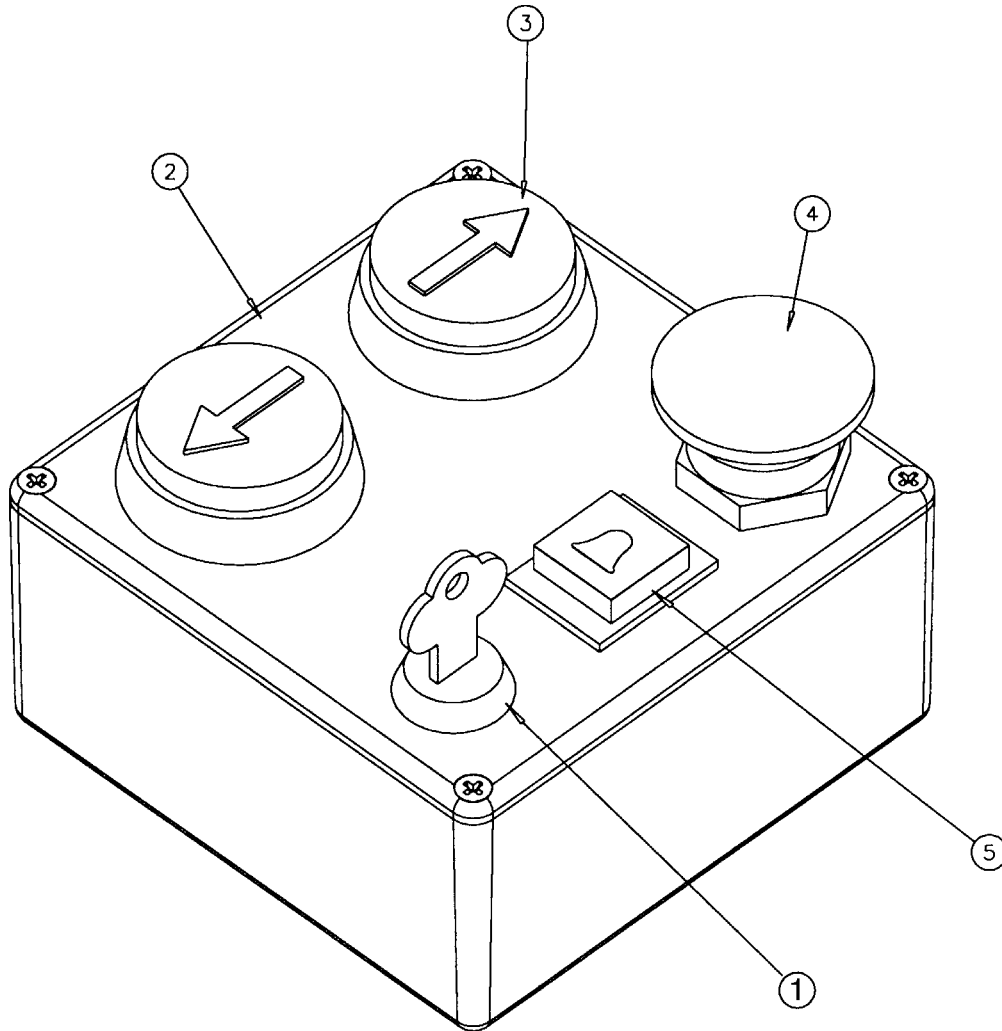
Lower Carriage Assembly Xpress II Type 2

Page 1

| Bubble No () | Part Number | Description |
|--------------------------|------------------------|-------------------------------------|
| (1) | 10030 | ASSY,CARRIAGE,LOWER,MALE,WELDMENT |
| (2) | 10033 | ASSY,CARRIAGE,LOWER,FEMALE,WELDMENT |
| (3) | 10134 | SLEEVE,ROLLER,CARRIAGE,LOWER |
| (4) | 10036 | ROLLER,CARRIAGE,LOWER |
| (5) | 01421 | SCREW,M8X12,SOCHD,PLT |
| (6) | 01427 | NUT,M10,NYLOC,PLT |
| (7) | 04047 | SCREW,M10X50,SOCHD,PLT,EXPII |
| (8) | 01379 | WASHER,M12,FLAT,PLT |
| (9) | 10520 | NUT,M12,PLT |
| (10) | 01376 | WASHER,M8,FLAT,PLT |
| (11) | 06539 | WASHER,M12X36,SS,A2 |

Complete Assembly

| Part No. | Description |
|-----------------|------------------------------|
| 10133 | ASSY,CARRIAGE,LOWER,XPRESSII |



Call Station

Call Station Assembly Xpress II Type 2

Call Station Assembly Xpress II Type 2

Page 1

| Bubble No () | Part Number | Description |
|------------------|----------------|--|
| (1) | 10648 | KEYSWITCH,LOCK,2074-1DC |
| (2) | 12206 | BOX,CALLSTATION,UNIVERSAL,MODIFIED |
| (3) | 10099 | SWITCH,ARROW,DIRECTIONAL |
| (4) | 10153 | SWITCH,STOP,EMERGENCY,MOUNT,HORIZONTAL |
| (5) | 03585 | SWITCH,ROCKER,ALARM |

Complete Assembly

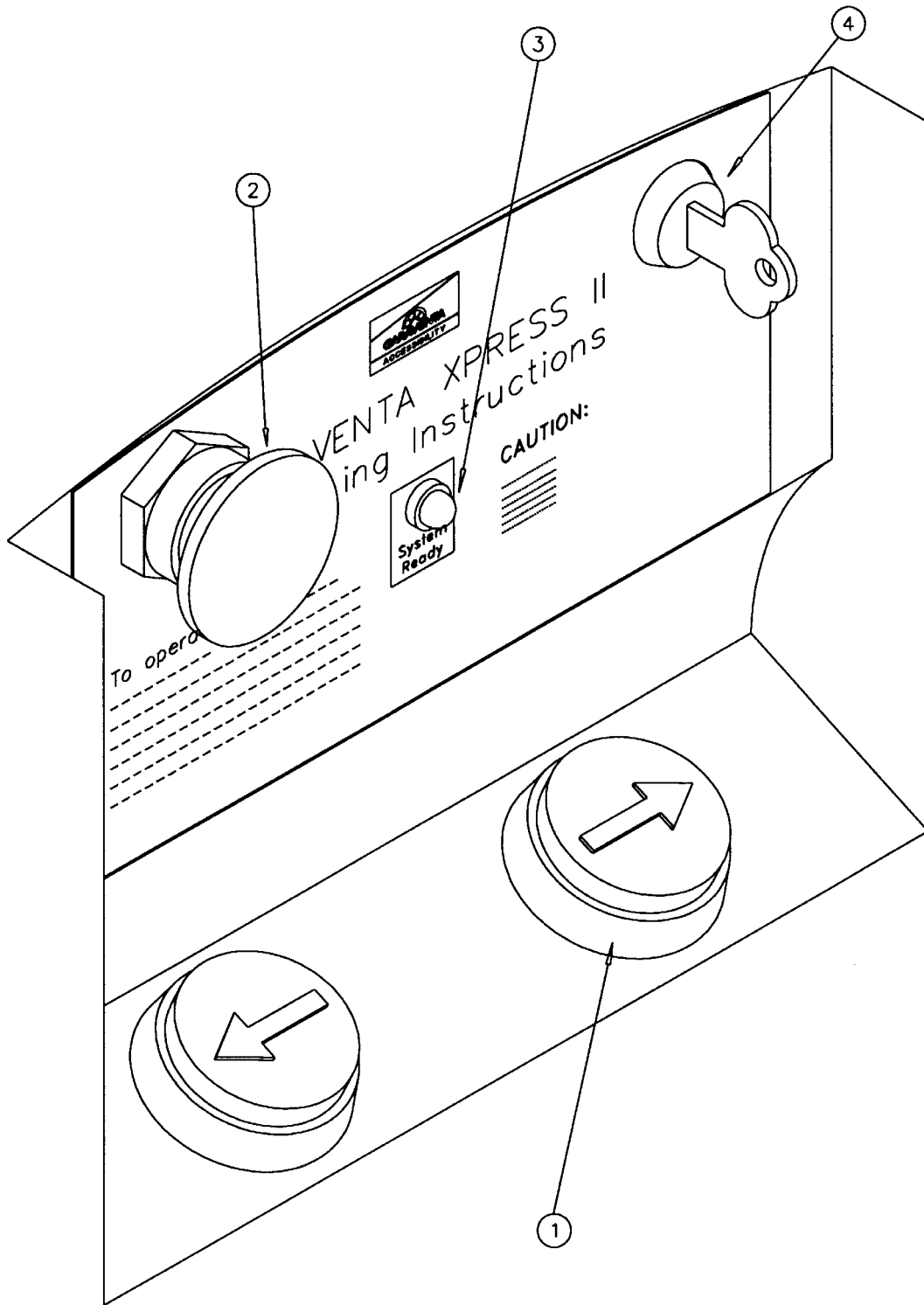
| Part No. | Description |
|----------|-------------------------------------|
| 12208 | ASSY,CALLSTATION,CALL/SEND,XPRESSII |

Related Kits

| Part No. | Description |
|----------|---|
| 12241 | KIT,ATTENDANT,CALL,CALL/SEND,XII |
| 12242 | KIT,EMERGENCY,STOP,RND,CALL/SEND,XII |
| 12243 | KIT,EMERGENCY,STOP,SQUARE,CALL/SEND,XII |

Plugs

| Part No. | Description |
|----------|--------------------------|
| 11967 | PLUG,0.875",BLANKING,BLK |
| 03582 | PLUG,SWITCH,BLANK |
| 11731 | PLUG,KEYHOLE,XPRESSII |



Conveyance Controls Xpress II Type 2

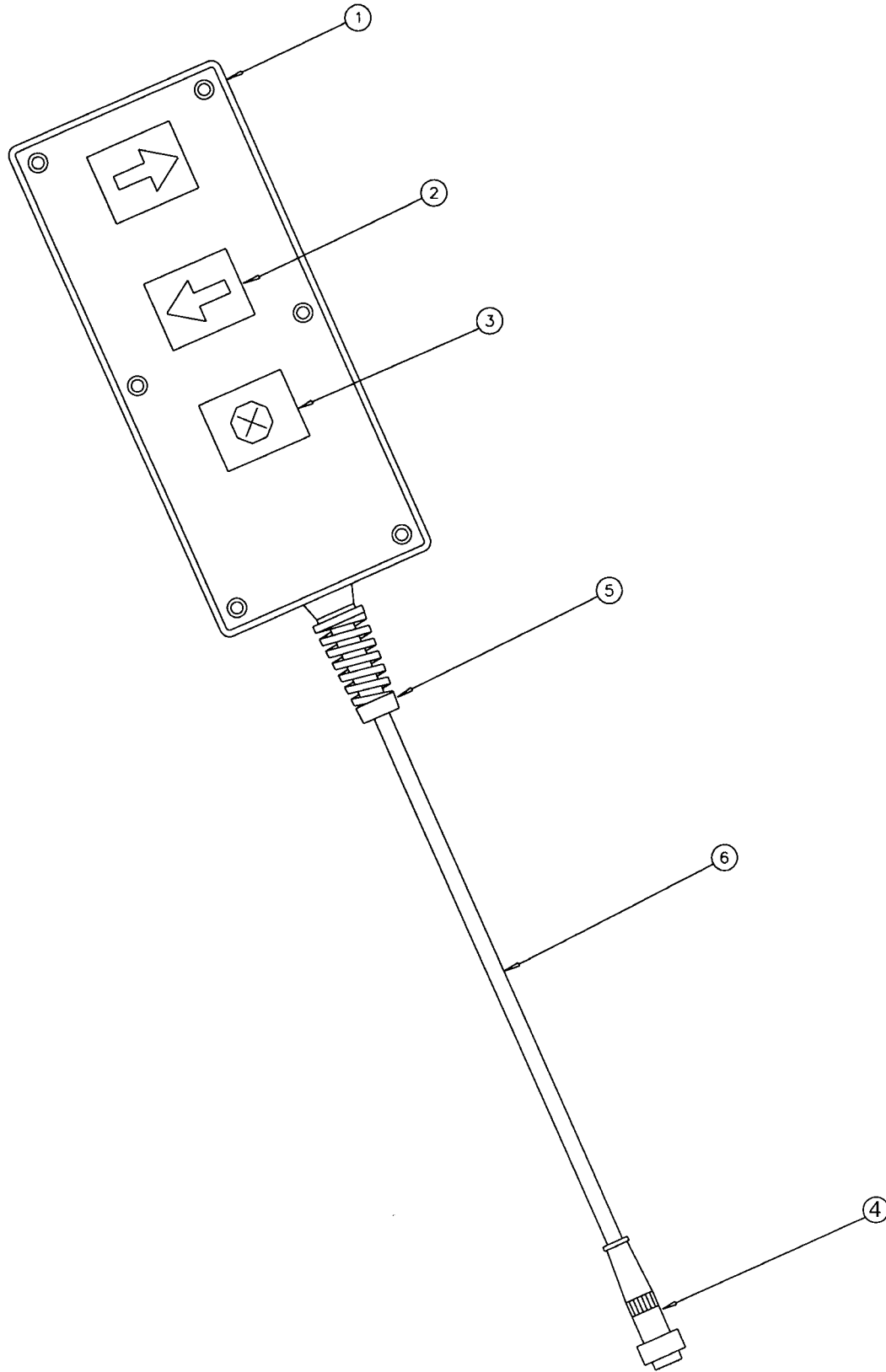
Conveyance Controls Xpress II Type 2

Page 1

| Bubble No () | Part Number | Description |
|--------------------------|------------------------|--|
| (1) | 10099 | SWITCH,ARROW,DIRECTIONAL |
| (2) | 10153 | SWITCH,STOP,EMERGENCY,MOUNT,HORIZONTAL |
| (3) | 01813 | LED,GRN |
| (4) | 10098 | KEYSWITCH,SPDT |

Complete Assembly

| Part No. | Description |
|-----------------|--|
| 13104 | ASSY,COVER,SHELL,HANGER,XPRESS II,TYPE 2 |



Remote Control Xpress II Type 2

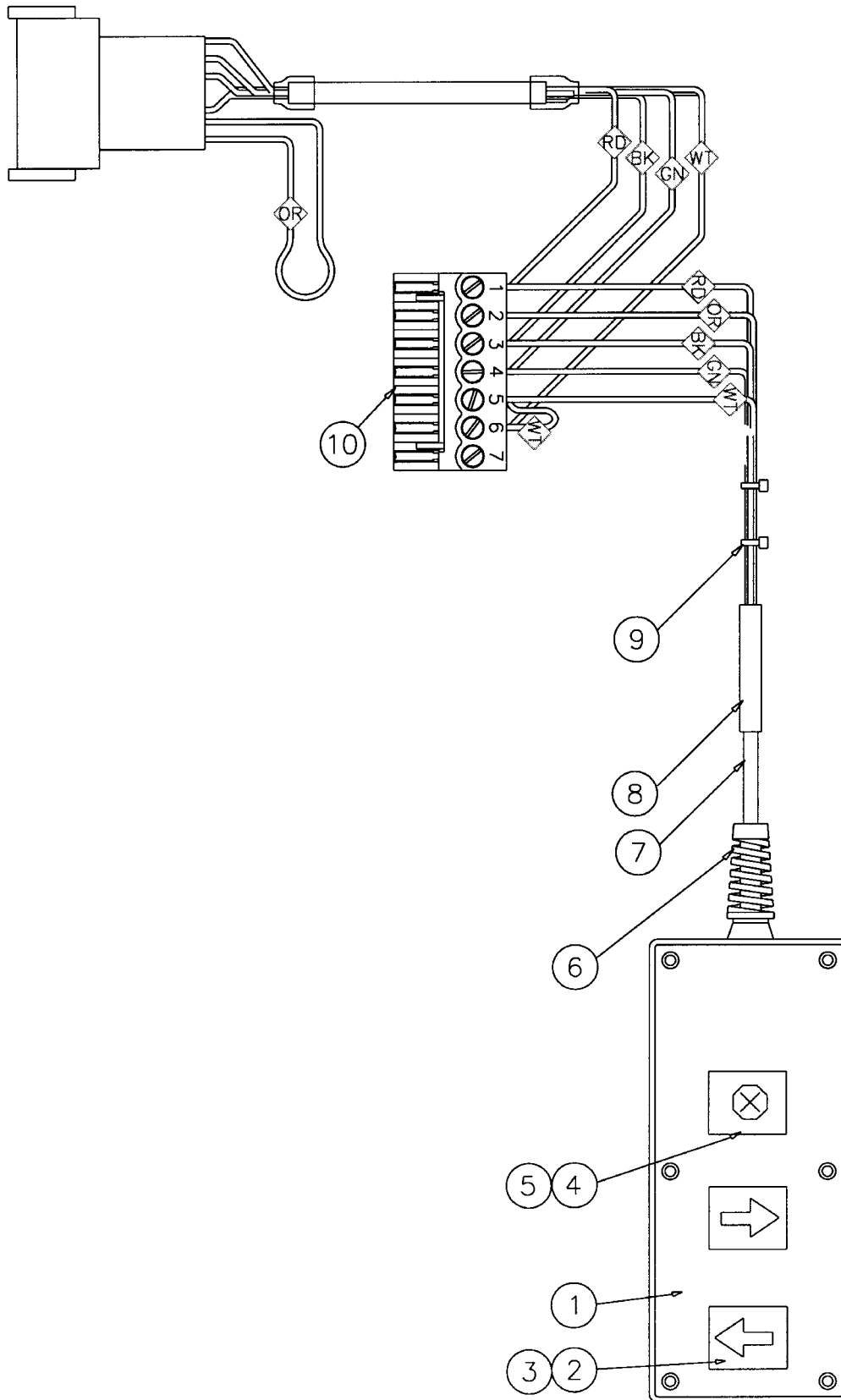
Remote Control Xpress II Type 2

Page 1

| Bubble No () | Part Number | Description |
|--------------------------|------------------------|--|
| (1) | 10462 | BOX,REMOTECONTROL,MODIFIED |
| (2) | 09264 | SWITCH,PUSHBUTTON,MOMENTARY,DPST,NO/NC |
| (3) | 09269 | SWITCH,PUSHBUTTON,ALTERNATING,DPST,NO/NC |
| (4) | 10397 | CONNECTOR,LOCKING,PLUG,7PIN,MALE |
| (5) | 08337 | BUSHING,REMOTECONTROL,STRAINRELIEF,18 |
| (6) | 03285 | CABLE,24AWG,6COND,SHIELDED |

Complete Assembly

| Part No. | Description |
|-----------------|-----------------------------|
| 10476 | ASSY,REMOTECONTROL,XPRESSII |



Service Remote Control Xpress II Type 2

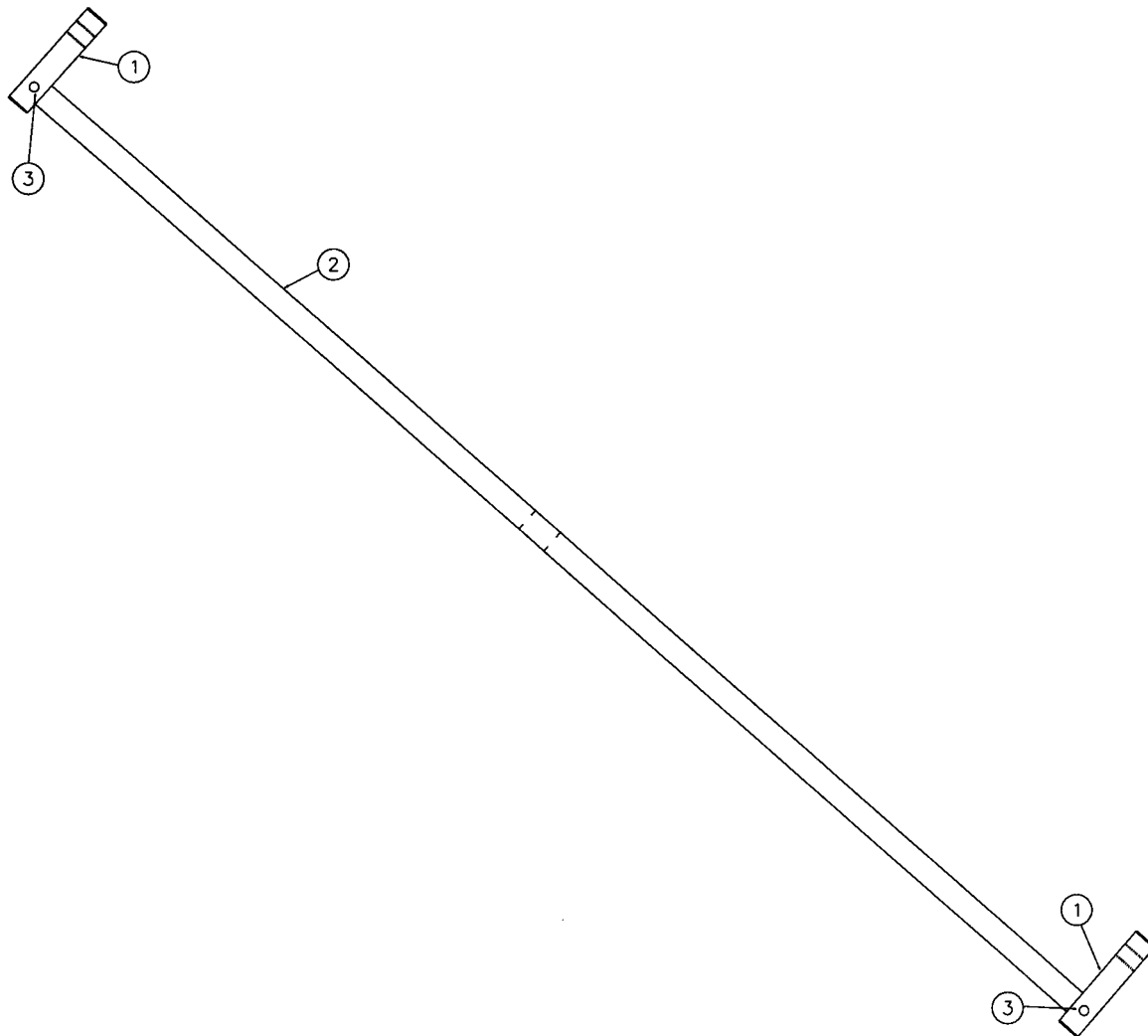
Service Remote Control Xpress II Type 2

Page 1

| Bubble No () | Part Number | Description |
|--------------------------|------------------------|--|
| (1) | 10462 | BOX,REMOTECONTROL,MODIFIED |
| (2) | 09264 | SWITCH,PUSHBUTTON,MOMENTARY,DPST,NO/NC |
| (3) | 10463 | CAP,PUSHBUTTON,DIRECTION,ARROW,WT,ON,BK |
| (4) | 09263 | CAP,PUSHBUTTON,STOP,WHITE,ON,RED |
| (5) | 09269 | SWITCH,PUSHBUTTON,ALTERNATING,DPST,NO/NC |
| (6) | 08337 | BUSHING,REMOTECONTROL,STRAINRELIEF,18 |
| (7) | 10399 | CABLE,20AWG,5CONDUCTOR,PCCFT4 |
| (8) | 07575 | TUBE,HEATSHRINK,0.75" |
| (9) | 04012 | CABLETIE,MOUNTING,5" |
| (10) | 10268 | BLOCK,SOCKET,7POLES |

Complete Assembly

| Part No. | Description |
|-----------------|-------------------------------------|
| 10825 | ASSY,REMOTECONTROL,SERVICE,XPRESSII |



Crank Arm Drive Shaft Assembly Xpress II Type 2

Crank Arm Drive Shaft Assembly Xpress II Type 2

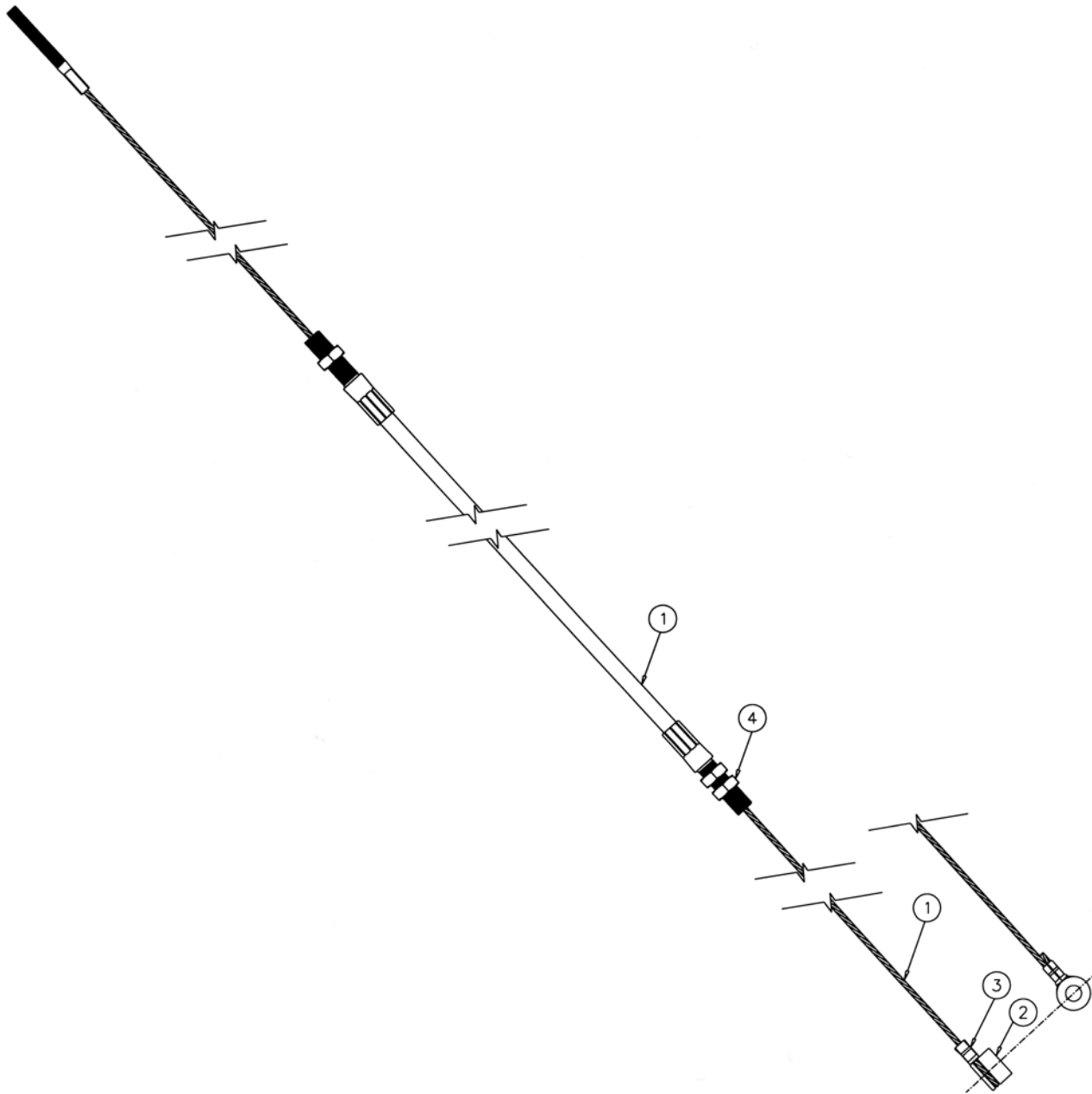
Page 1

| Bubble No () | Part Number | Description |
|------------------|----------------|--------------------------------|
| (1) | 10258 | SHAFT,DRIVE,PLATFORM,ACTUATION |
| (2) | 10052 | ARM,CRANK,PLATFORM,PLT |
| (3) | 10360 | PIN,GROOVED,5X24,DIN1473 |

Complete Assembly

| Part No. | Description |
|----------|----------------------------|
| 09928 | ASSY,SHAFT,DRIVE,ARM,CRANK |

Note: This assembly is a part of Item # 10406 (ASSY,ACTUATION,PLATFORM,XPRESSII)



Ramp Cable Assembly Xpress II Type 2

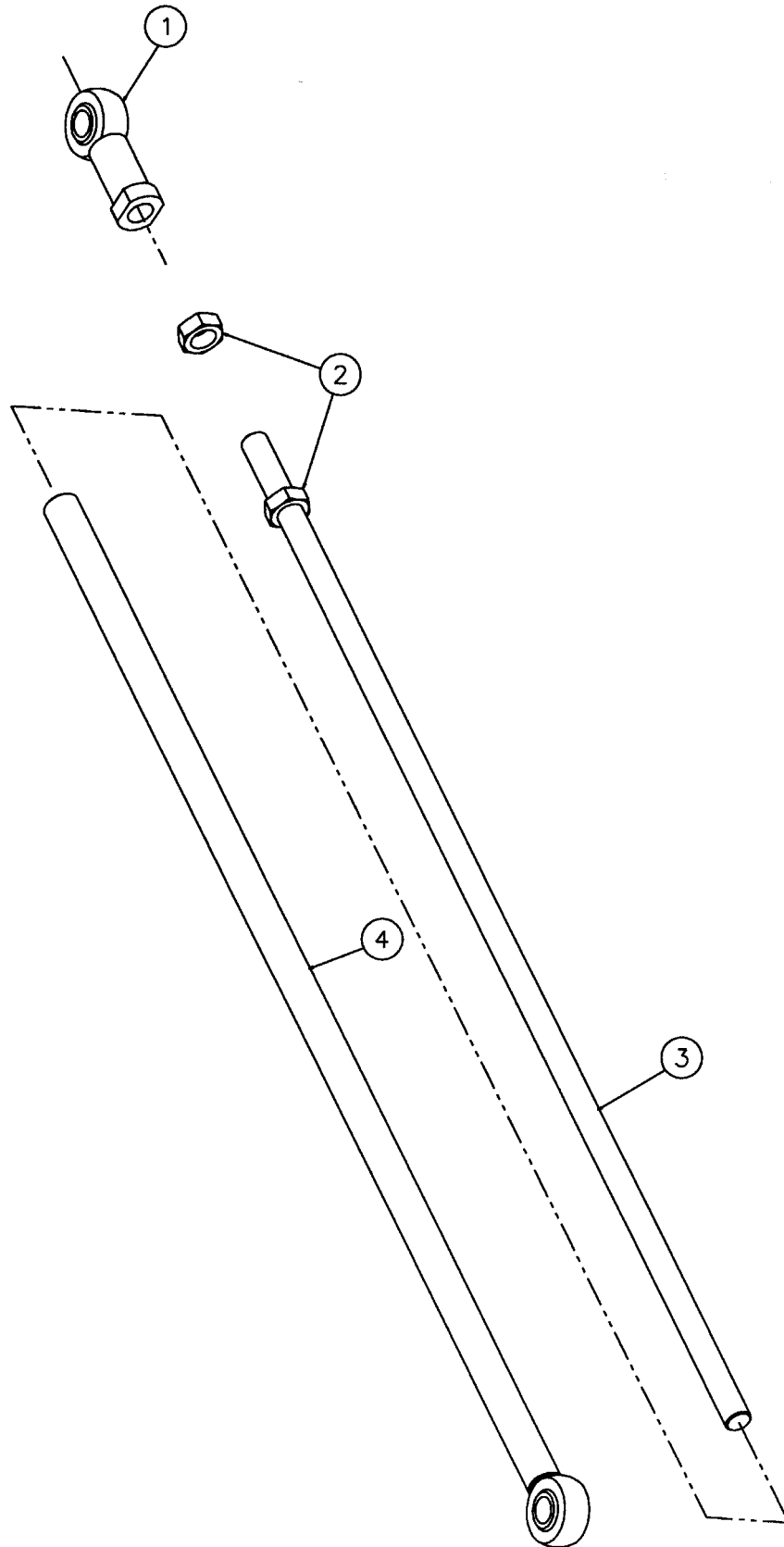
Ramp Cable Assembly Xpress II Type 2

Page 1

| Bubble No () | Part Number | Description |
|--------------------------|------------------------|-------------------------------|
| (1) | 10097 | CABLE,RAMP,1/4-20/38/38EXT,SS |
| (2) | 10072 | SPACER,13.5MM,GROOVED |
| (3) | 02013 | CRIMP,COPPER,3/32",OVALSLEEVE |
| (4) | 10441 | NUT,0.375"UNF,JAM,SS |

Complete Assembly

| Part No. | Description |
|-----------------|--------------------------|
| 11645 | ASSY,CABLE,RAMP,XPRESSII |



Platform Actuating Pushrod Assembly Xpress II Type 2

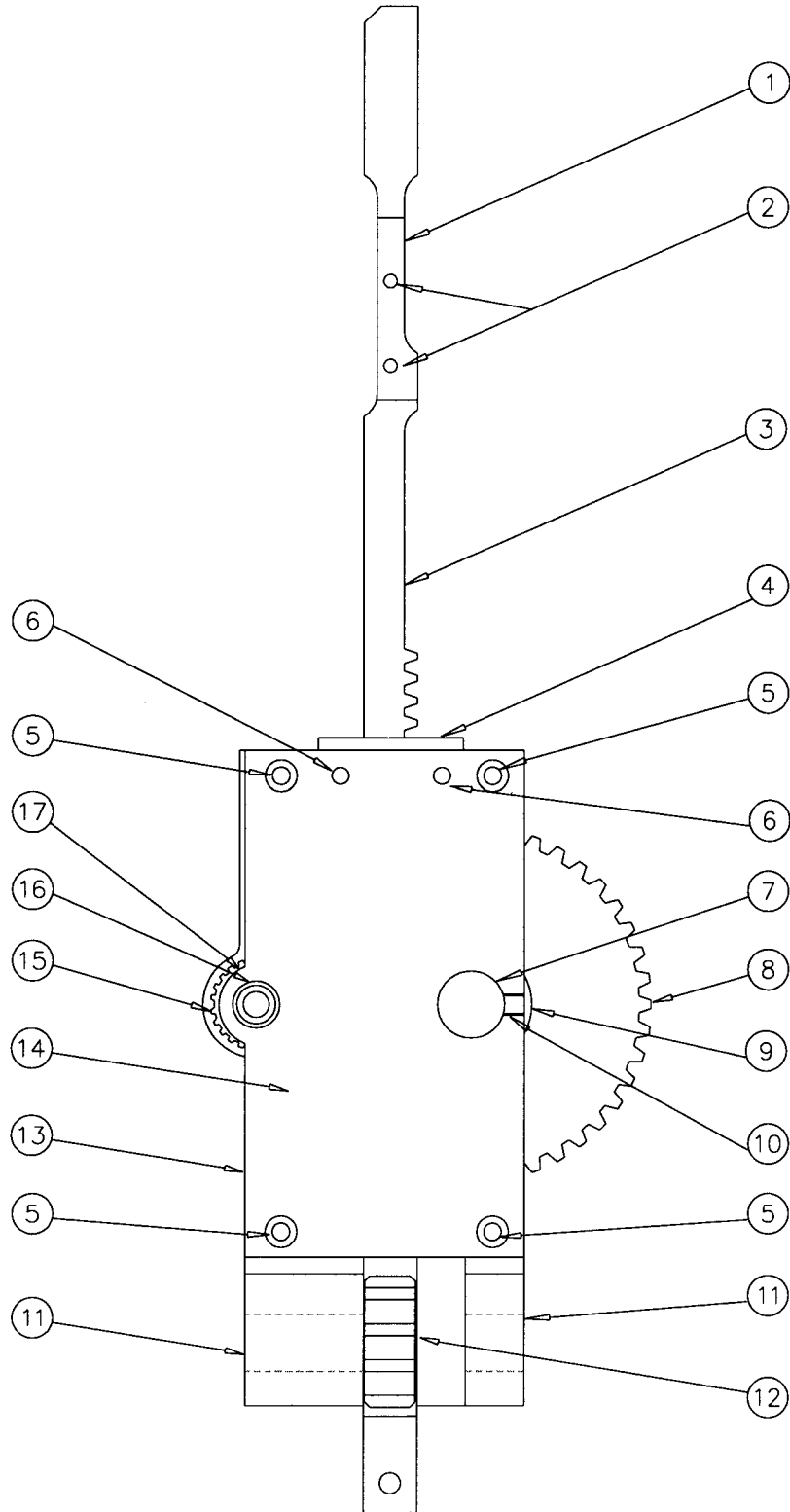
Platform Actuating Pushrod Assembly Xpress II Type 2

Page 1

| Bubble No () | Part Number | Description |
|--------------------------|------------------------|------------------------------|
| (1) | 10349 | ROD,END,FEMALE |
| (2) | 10441 | NUT,0.375"UNF,JAM,SS |
| (3) | 10262 | ROD,CONNECTING,THREADED |
| (4) | 09964 | ASSY,ROD,CONNECTING,XPRESSII |

Complete Assembly

| Part No. | Description |
|-----------------|--|
| 11852 | ASSY,PUSHROD,ACTUATING,PLATFORM,XPRESSII |



Platform Actuation Assembly Xpress II Type 2

Platform Actuation Assembly Xpress II Type 2

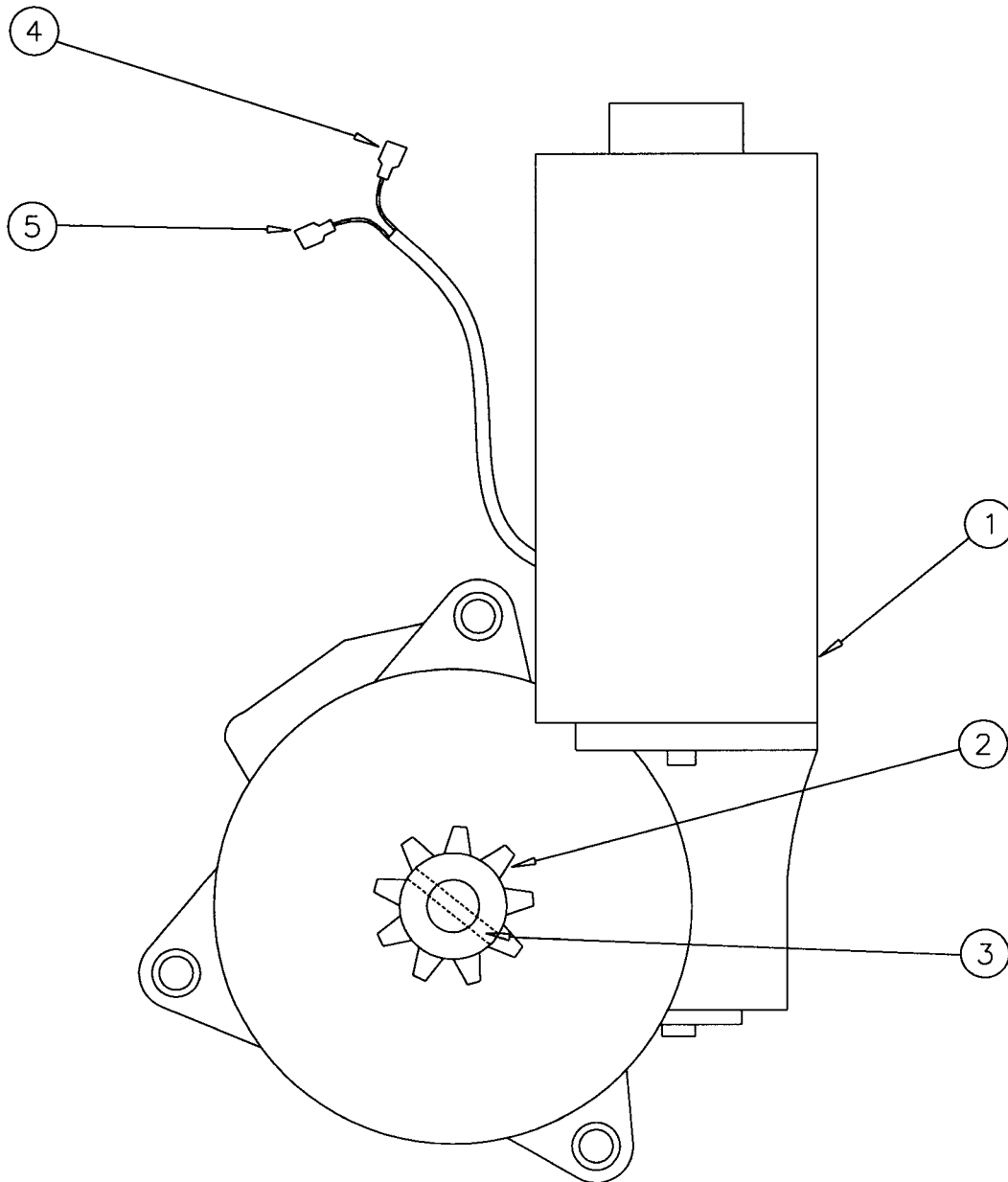
Page 1

| Bubble No () | Part Number | Description |
|------------------|----------------|---|
| (1) | 10509 | PLATE,RACK,RETROFIT |
| (2) | 06327 | SCREW,M4X10,PANHD,PHILLIPS,SS,A2 |
| (3) | 10095 | RACK,PLATFORM,ACTUATION |
| (4) | 10256 | BLOCK,SPACER,RACK |
| (5) | 07333 | SCREW,M5X20,SOC/BUTTONHD,SS,A2 |
| (6) | 01459 | PIN,SPLIT,4X20,DIN-1481 |
| (7) | 10083 | SHAFT,GEAR |
| (8) | 10094 | GEAR,52/18,TEETH,PLATFORM |
| (9) | 10334 | SHIM,16X28X0.5 |
| (10) | 10385 | SCREW,M5X6,SET,CUP,SS |
| (11) | 10148 | BEARING,SLEEVE,OILITE,SS-1620-8 |
| (12) | 10096 | GEAR,18TEETH,PLATFORM |
| (13) | 10132 | BRACKET,RACK,PLATFORM,ACTUATION |
| (14) | 10079 | COVER,BRACKET,RACK,PLATFORM,ACTUATION |
| (15) | 10092 | SHAFT,12TEETH,PLATFORM,ACTUATION,W/GEAR |
| (16) | 10175 | BEARING,OILITE,SS-1014-6 |
| (17) | 10159 | BEARING,PERMAGLIDE,PAPZ1014D10 |

Complete Assembly

| Part No. | Description |
|----------|----------------------------------|
| 10406 | ASSY,ACTUATION,PLATFORM,XPRESSII |

Note: The complete assembly also includes item # 09928 (ASSY, SHAFT, DRIVE, ARM, CRANK) not shown in the drawing



Actuation Motor Assembly Xpress II Type 2

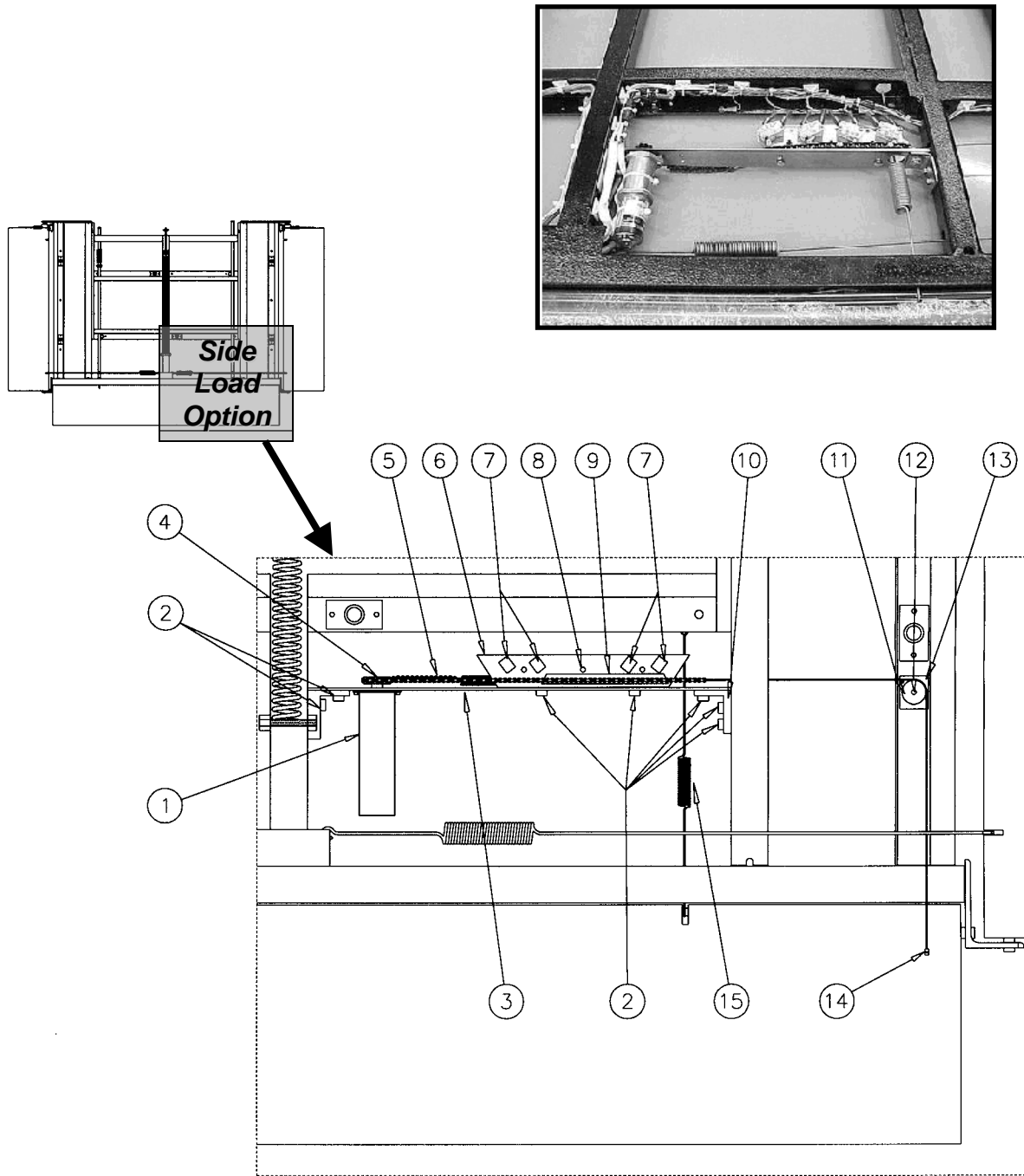
Actuation Motor Assembly Xpress II Type 2

Page 1

| Bubble No () | Part Number | Description |
|---------------|-------------|--|
| (1) | 10090 | WORMGEAR,MOTOR,ARM,24V |
| (2) | 10091 | GEAR,12TEETH,MOTOR |
| (3) | 09955 | PIN,SPRING,,M3.5X14 |
| (4) | 01204 | CONNECTOR,DISC,FEMALE,INS,0.250,18-22AWG |
| (5) | 01262 | CONNECTOR,DISC,MALE,INS,0.250,18-22AWG |

Complete Assembly

| Part No. | Description |
|----------|-------------------------------|
| 10493 | ASSY,MOTOR,ACTUATION,XPRESSII |



Sideload Platform Assembly Xpress II Type 2

Sideload Platform Assembly Xpress II Type 2

Page 1

| Bubble No () | Part Number | Description |
|---------------|-------------|--|
| (1) | 09091 | MOTOR,ACTUATING,24VDC,MODIFIED,SIDELOAD |
| (2) | 06328 | SCREW,M5X10,HEXHD,SS,A2 |
| (3) | 09892 | ASSY,BRACKET,ACTUATING,SIDELOAD,XPRESSII |
| (4) | 09910 | SPROCKET,DRIVE,KICKPLATE,SIDELOAD |
| (5) | 09891 | ASSY,CABLE,SIDELOAD,XPRESSII |
| (6) | 09894 | ASSY,SWITCH,MOUNTING,SIDELOAD,XPRESSII |
| (7) | 09091 | SWITCH,SAFETY,DISPL,POS,C/A |
| (8) | 09918 | SCREW,M4X10,SOCHD,SS |
| (9) | 09887 | CAM,SWITCH,SIDELOAD |
| (10) | 09885 | BASE,BRACKET,SWITCH,SIDELOAD |
| (11) | 09888 | WHEEL,CABLE,SIDELOAD |
| (12) | 03336 | SCREW,10X6/M8,SHOULDER,PLT |
| (13) | 09890 | MOUNT,WHEEL,SIDELOAD |
| (14) | 09893 | PIN,SPRING,4X40,SS |
| (15) | 09898 | SPRING,EXTENSION,KICKPLATE,SIDELOAD |

List Of Kits Xpress II Type 2

Page 1

| Kit # | Description |
|--------------|---------------------------------------|
| 10110 | KIT,CORE,XPRESSII |
| 10162 | KIT,RAIL,XPRESSII |
| 10163 | KIT,INSTALLATION,XPRESSII |
| 10166 | KIT,ARM,CURVED,1220 |
| 10167 | KIT,ARM,CURVED,1000 |
| 10170 | KIT,RAMP,EXTENDED,XPRESSII |
| 10281 | KIT,HARNES,PLATFORM,XPRESSII |
| 10346 | KIT,COUNTER,HOUR,XPRESSII |
| 10347 | KIT,TIMER,FOLD,PLATFORM,XPRESSII |
| 10361 | KIT,TOWER,MS,XPRESSII |
| 10363 | KIT,TOWER,SS,XPRESSII |
| 14154 | KIT,TOWER,CUSTOM,MS,XPRESSII |
| 14155 | KIT,TOWER,CUSTOM,SS,XPRESSII |
| 10488 | KIT,ARM,ASSY,XPRESSII |
| 10479 | KIT,TIMER,DIRECTION,XPRESSII |
| 10516 | KIT,PARTS,SPARE,XPRESSII,TYPE 2 |
| 10527 | KIT,RAIL,ASSY,XPRESSII |
| 11696 | KIT,ATTENDANT,OPERATION,ONLY,XPRESSII |
| 11698 | KIT,INHANGER,ALARM,XPRESSII |
| 11699 | KIT,OPERATION,KEYLESS,XPRESSII |
| 11748 | KIT,SHIM,RAIL,UPPER,XPRESSII |
| 11980 | KIT,HANDRAIL,STOCK,XPRESSII |
| 11990 | KIT,CORE,EMC,XPRESSII |
| 12240 | KIT,CALLSTATION,KEYLESS,CALL/SEND,XII |
| 12241 | KIT,ATTENDANT,CALL,CALL/SEND,XII |

List Of Kits Xpress II Type 2

Page 2

| Kit # | Description |
|--------------|---|
| 12242 | KIT,EMERGENCY,STOP,RND,CALL/SEND,XII |
| 12243 | KIT,EMERGENCY,STOP,SQUARE,CALL/SEND,XII |
| 12499 | KIT,INHANGER,ALARM,BBU,XPRESSII |
| 12536 | KIT,HANDRAIL,CUSTOM,PER/METER,XPRESSII |
| 14008 | KIT,SPLICE,RAIL,XPRESSII |
| 13041 | KIT,REMOTECONTROL,XPRESSII,TYPE2 |
| 13112 | KIT,FIRESERVICE,XPRESSII |

Miscellaneous

| Part# | Description |
|--------------|---------------------------------------|
| 11724 | CHARGER,BATTERY,24VDC,7.2AMP,MODIFIED |
| 12527 | INVERTER,1HP,EMC |